

Refractory



Shown in Cinder Bronze and Clear Glass with Cast Texture Lenses

IST.HL.01

Specifications

Dimensions	in	cm
Height	18.5	47
Diameter	4.6	11.5
Weight	31 lbs	

Materials and Finishes

Cast Bronze available in Collection Bronze Patinas except Muslin

Stems and canopy available in Collection Bronze Patinas except Muslin and Polished

Cast Glass Lenses available in Clear and Suede
Hand Polished or Cast Texture

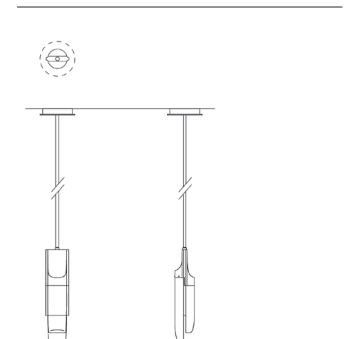
Lamping

2700K
LED board and strip
20 W dimmable driver

Isthmus Pendant

An isthmus is a narrow piece of land connecting two larger areas across an expanse of water by which they are otherwise separated. This delicate separation is the spirit of the Isthmus series.

The cast glass components of the Isthmus Pendant are held by an asymmetric bronze structure from above. No angles are the same, as the lenses distort the cast bronze shagreen texture in between.



Detail at right: shown in Natural Bronze with Suede Glass with Cast Texture Lenses