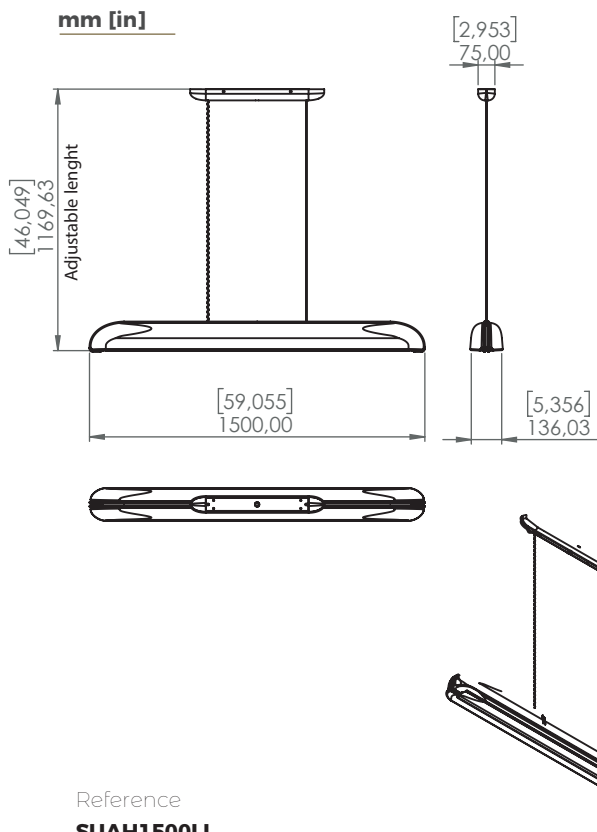


# PENDANT ASH1500LI

Design Yves Macheret



Reference

**SUAH1500LI**

Description

**Patinated bronze body -Protective varnish**

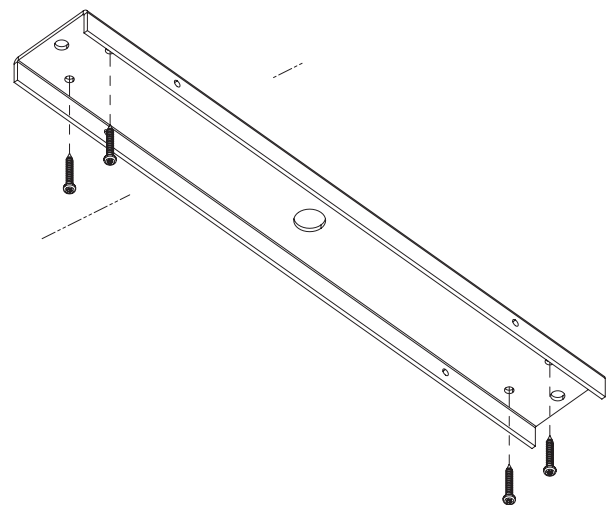
*Handmade in France*

## Specificity

Led Sources	<b>2x strip LED 24V-220-240V / 50-60hz /</b>		
Lumens	<b>1000 lm (nominal)</b>		
Watts	<b>2x30 W</b>		
Weight kg (lbs)	<b>40 [88]</b>		
Standard	LED	CRI-Ra 98	UL LISTED
Colors	2700K*	3000K	
Dimming	Triac*	0.10V	Dali
Driver Position	INSIDE*	REMOTE	REMOTE

\*Factory setting

## Fixation



## Bronze Finishing

### Patinas



**FNRB**  
RAW  
BRASS



**FNMB**  
MEDIUM  
BRASS



**FNBK**  
BLACK  
BRASS

### Special



**FNBN**  
BRUSHED  
NICKEL



**CUSTOM**  
FINISHING  
ON DEMAND