

COUP D'ETAT



Armor Pendant Three Cluster - Large by konekt

Contemporary

United States

The Armor Pendant features a carefully crafted hand-blown glass pendant draped with finished stainless steel chainmail. Pulling from the intricate use of chainmail in Medieval armor, KONEKT reinterprets its materiality by creating a balance between the strength that the metal mesh evokes and the delicate and elegant nature of hand-blown glass. Available in two sizes as a single pendant, a cluster of three or five pendants, or a custom cluster.

Dimensions:

Canopy: 12"D

Overall Diameter: 19 5/8 "D

Overall Drop Length: Up to 78"H*

Drop length cut to order.*

Materials: Hand-blown Glass, Brass and Finished Stainless Steel Chainmail

COUP D'ETAT



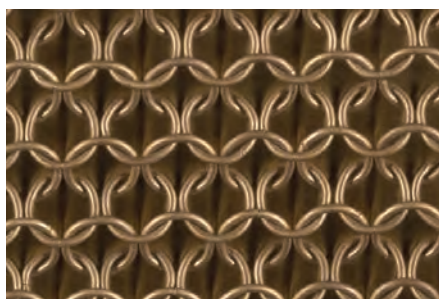
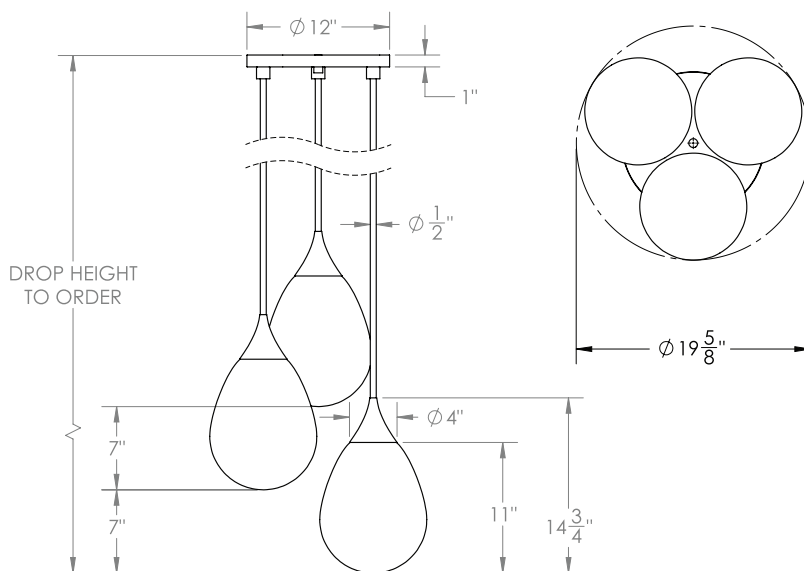
Armor Pendant Three Cluster - Large by konekt

Contemporary
United States

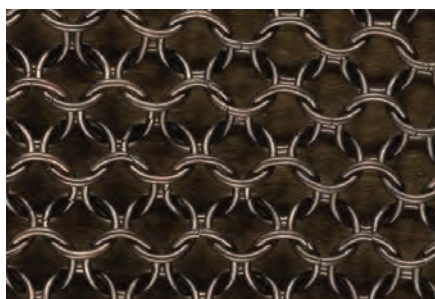
Finish: Satin Brass, Antique Brass*, Oil-rubbed Bronze*, Satin Black*, Satin Nickel* or Antique Nickel*
(Upcharge for Premium finishes*)

Lamping: E26 | 120V | 60W
9.5W dimmable LED bulb included 120V;
950 lumens; 2700k color temperature

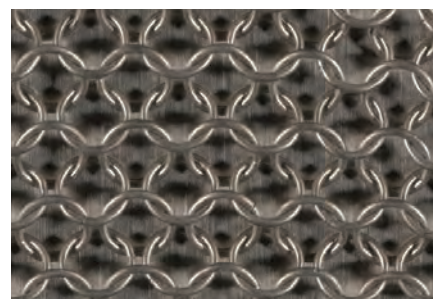
UL listed



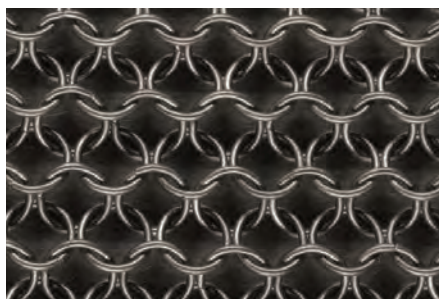
Satin Brass Chainmail



Antique Brass Chainmail*



Satin Nickel Chainmail*



Antique Nickel Chainmail*



Oil-Rubbed Bronze Chainmail*



Satin Black Chainmail*

111 Rhode Island Street, Suite 1 San Francisco, CA 94103 P. 415 241 9300
100 N Robertson Blvd, Los Angeles, CA 90048 P. 323 825 5880
E. info@coupdetatsf COUPDETATSE.COM