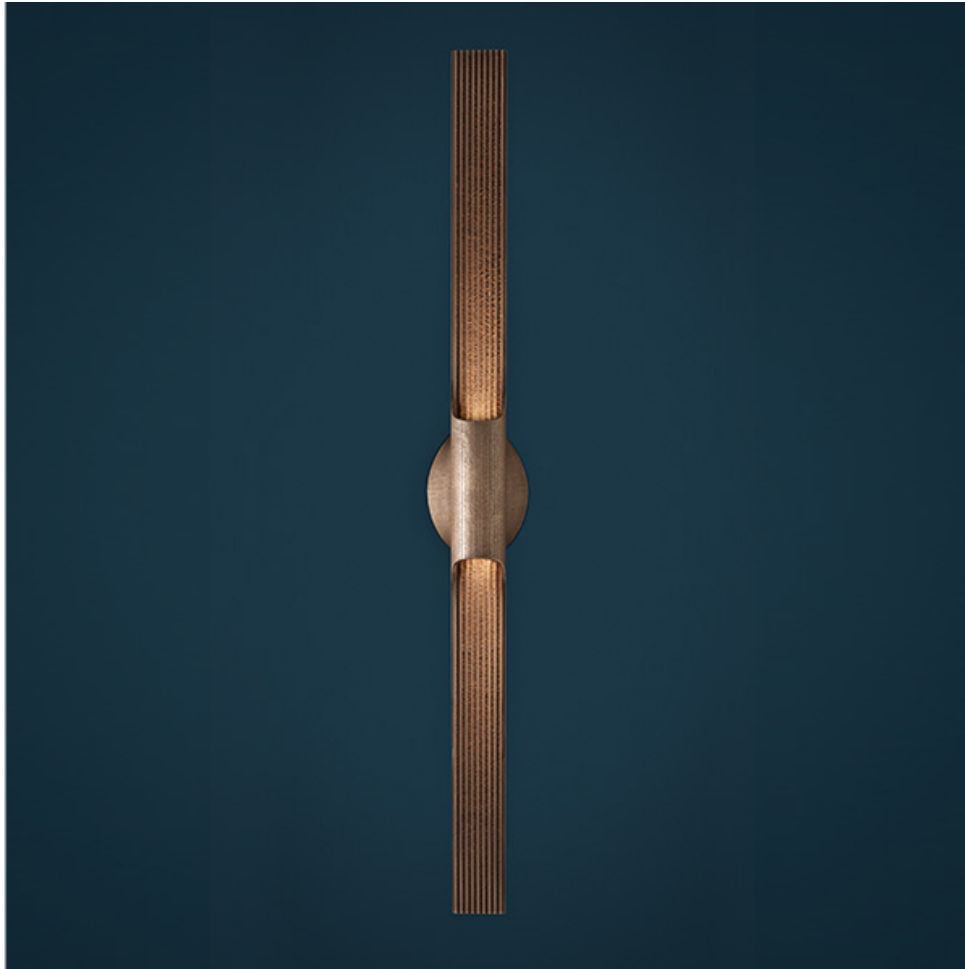


COUP D'ETAT



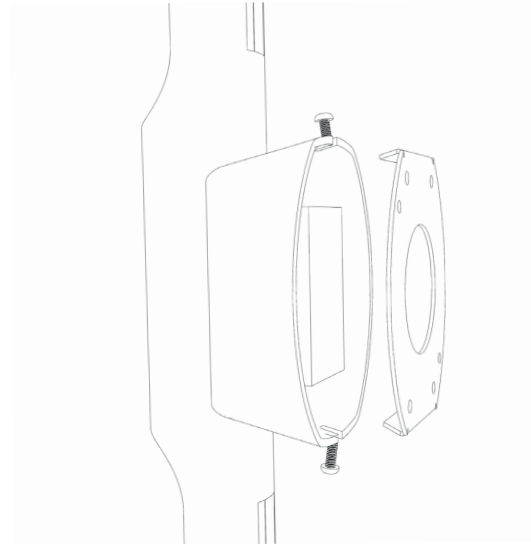
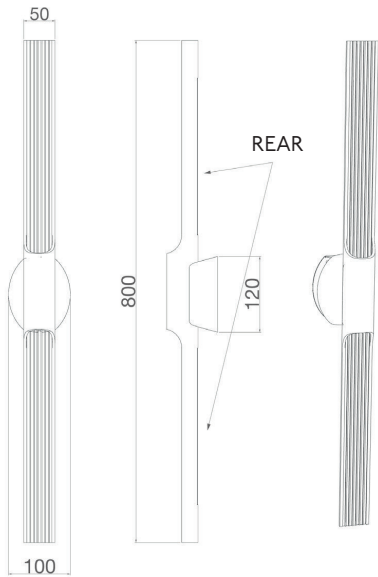
Beam 800 Wall Lamp
by Entrelacs
Contemporary
France

Patinated casted bronze wall lamp.

Dimensions: 3.94" W x 43.31" / 31.5" / 23.62" H

LW-ENTRELACS-BEAM-800

MARTEL WALL SCONCE BY ENTRELACS



FIXING

ITEM NO.	DIMENSIONS	LUMENS	900 LM (NOMINAL)
LW-ENTRELACS-BEAM-800	3.94" W x 43.31" / 31.5" / 23.62" H	WATTS	6 W

DESCRIPTION

PATINATED CASTED BRONZE WALL LAMP.

BRONZE FINISH OPTIONS

RAW BRONZE FNRB
MEDIUM BRONZE FNMB
BLACK BRONZE FNBK

SPECIAL FINISH OPTIONS

BRUSHED NICKEL
CUSTOM FINISHING
ON DEMAND

*PLEASE NOTE THAT THE BRONZE HAS A LIVING FINISH. A CLEAR COAT CAN BE APPLIED IF SPECIFIED TO AVOID PATINA.

ALABASTER OPTIONS

WHITE VEINED
BROWN VEINED

SPECIFICATIONS

COLOR : 2700K / 3000K / 4000K

DRIVER : INSIDE / INSIDE / REMOTE

WEIGHT : 3.5 kg / 7.7 LBS

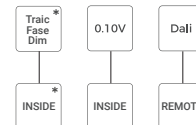
STANDARD



COLORS



DIMMING



DRIVER



* WORKSHOP SETTING

ADDITIONAL INFO

BODY LAMP PATINATES BRONZE - PROTECTIVE VARNISH
- ALABASTER DIFFUSER, 220-240V / 50-60HZ / 7W

