

# COUP D'ETAT



**Chroma Coffee Table  
by Natasha Baradaran**

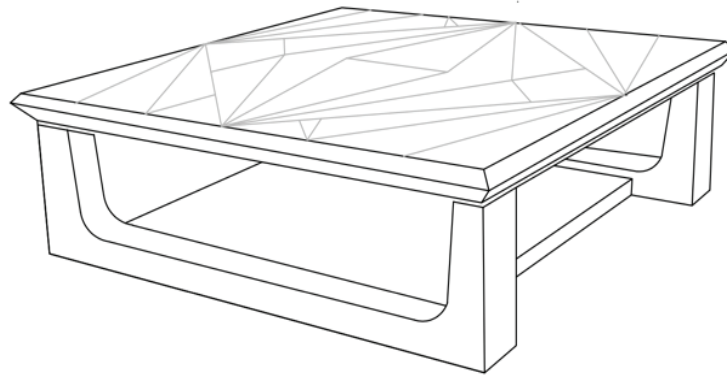
*Contemporary*  
United States

Chroma custom top in Geminato design with custom finished metal trim and stain base.

59" W x 59" D x 17" H

TCK-NB-CHROMA

# CHROMA COFFEE TABLE BY NATASHA BARADARAN



## ITEM NO.

TCK-NB-CHROMA

## DIMENSIONS

59" W x 59" D x 17" H

## ADDITIONAL INFO

Custom Capabilities.

## DESCRIPTION

CHROMA CUSTOM TOP IN GEMINATO DESIGN WITH CUSTOM FINISHED METAL TRIM AND STAIN BASE.

## STAIN FINISH OPTIONS (BASE):

BLEACHED WALNUT

MATTE EBONIZED WALNUT

MATTE NATURAL WALNUT

MATTE SAWN WALNUT

MINK

The Chroma finish is a chemically reactive metallic finish that undergoes chemical changes as it cures. This process creates color variations in the finish product. These color variations are natural characteristics of this finish, and are not reversible.

Please Note: Each product in our collection is handcrafted and made to order. Therefore, a slight variation in produced pieces is expected. Naturally occurring markings are not product flaws and are inherent in the manufacturing of handmade products. Please note, natural imperfections in no way affect the quality or integrity of the product.

## FINISH OPTIONS (TOP):

CHROMA ON OAK

SEPIA ON WALNUT

## METAL TRIM FINISH OPTIONS:

UN-LACQUERED BRASS

BURNISHED BRASS

OIL RUBBED BRONZE

BURNISHED SILVER

## HIGH STAIN FINISH OPTIONS (BASE) (UPCHARGE):

HIGH GLOSS EBONIZED WALNUT

HIGH GLOSS SAWN WALNUT

## LEAD TIME

12-14 WEEKS