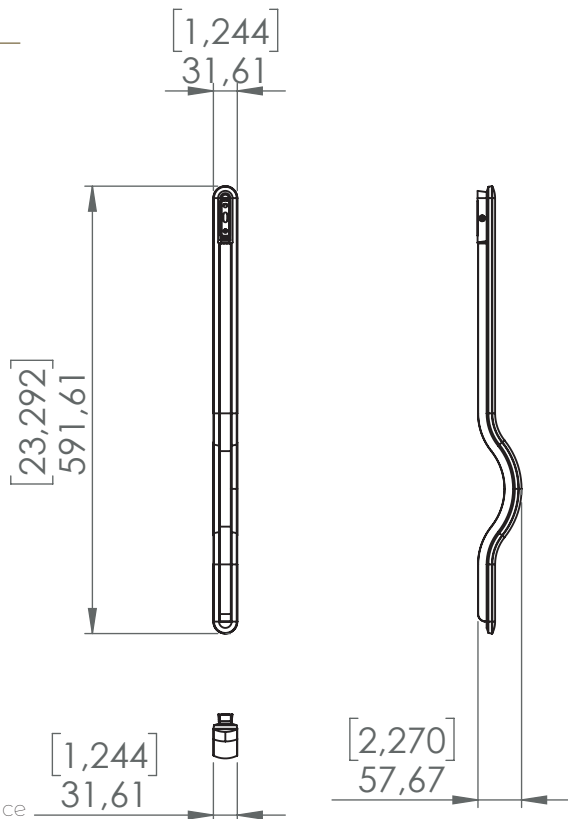


NAM
mm [in]



SCONCE ERUCA 600

Design Arnaud Leman



Reference

WLEA600RC

Description

Patinated bronze body - Protective varnish - Alabaster diffuser

Handmade in France

Specificity

Led Sources	strip LED 220-240V / 50-60hz / 24V
Lumens	500 lm (nominal)
Watts	8 W
Weight kg (lbs)	5.4 [11.9]

Standard	LED	CRI-Ra 98	UL LISTED	RoHS
----------	-----	-----------	-----------	------

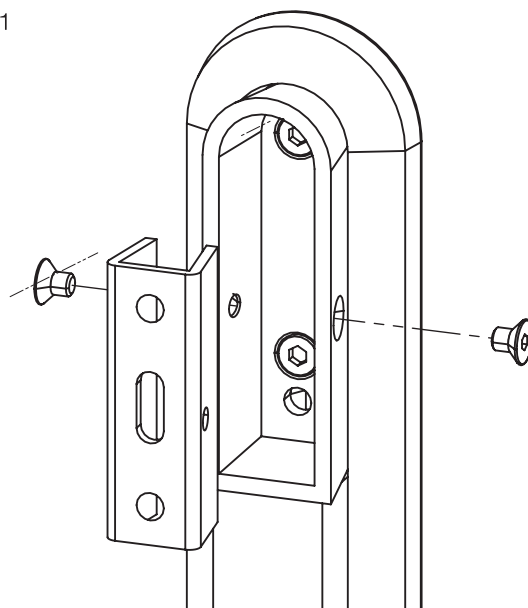
Colors	2700K*	3000K
--------	--------	-------

Dimming	Triac*	0.10V	Dali
---------	--------	-------	------

Driver Position	REMOTE*	REMOTE	REMOTE
-----------------	---------	--------	--------

* Factory setting

Fixation



Bronze Finishing

Patinas



FNRB
RAW
BRASS



FNMB
MEDIUM
BRASS



FNBK
BLACK
BRASS

Special



FNBN
BRUSHED
NICKEL



CUSTOM
FINISHING
ON DEMAND

Alabasters

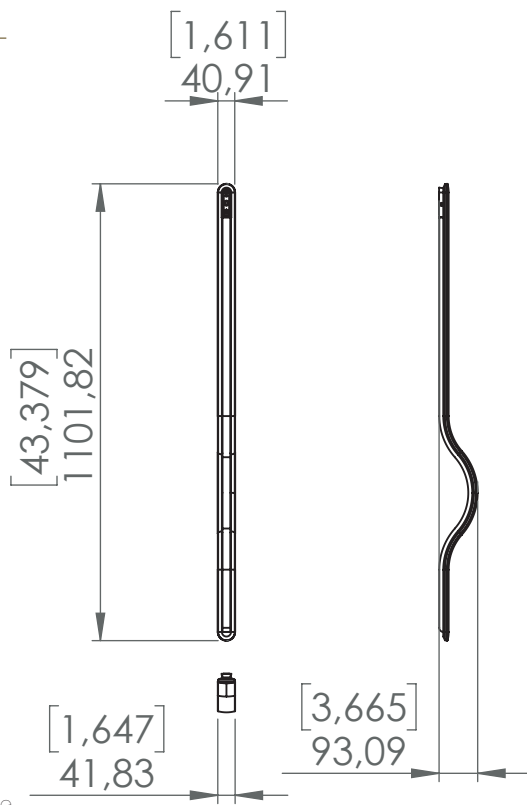
Type



WHITE
VEIN



BROWN
VEIN



Reference

WLEA1100RC

Description

Patinated bronze body - Protective varnish - Alabaster diffuser

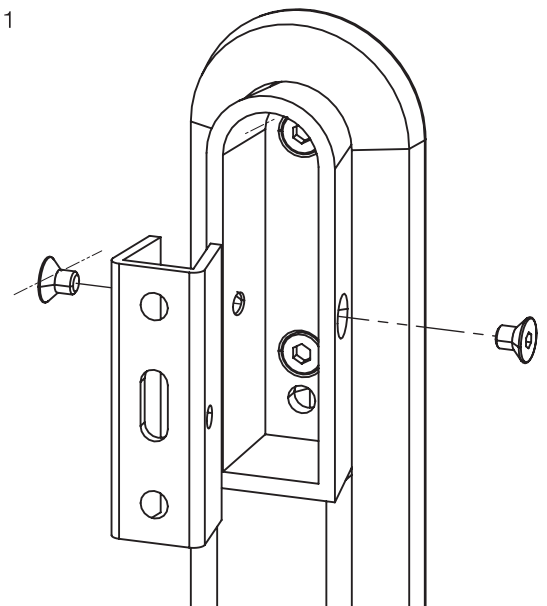
Handmade in France

Specificity

Led Sources	strip LED 220-240V / 50-60hz / 24V		
Lumens	500 lm (nominal)		
Watts	8 W		
Weight kg (lbs)	5.4 [11.9]		
Standard	LED	CRI-Ra 98	UL LISTED
Colors	2700K*	3000K	
Dimming	Triac*	0.10V	Dali
Driver Position	REMOTE*	REMOTE	REMOTE

* Factory setting

Fixation



Bronze Finishing

Patinas



FNRB
RAW
BRASS

FNMB
MEDIUM
BRASS

FNBK
BLACK
BRASS

Special



FNBN
BRUSHED
NICKEL

CUSTOM
FINISHING
ON DEMAND

Alabasters

Type



WHITE
VEIN

BROWN
VEIN