

COUP D'ETAT



Narcisse Lamp
by Entrelacs
Contemporary
France

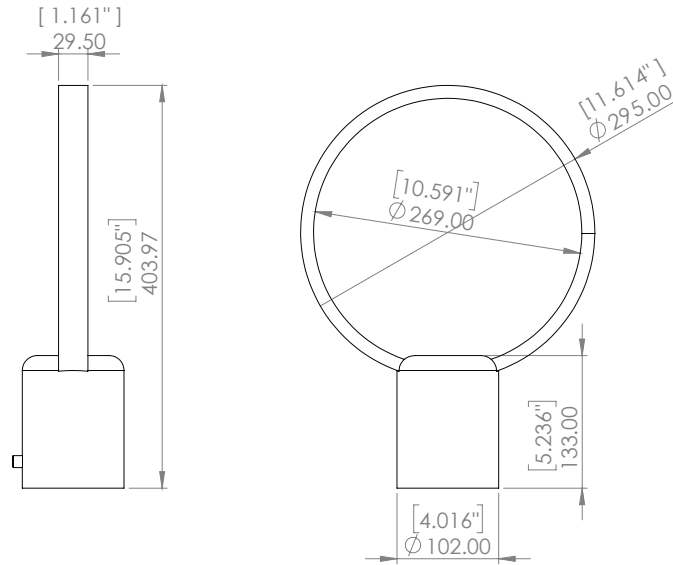
Bronze patinated table lamp with alabaster diffuser.

10.6" Dia. x 15.9" H

LT-ENTRELACS-NARCISSE

111 Rhode Island Street, Suite 1 San Francisco, CA 94103 P. 415 241 9300
100 N Robertson Blvd, Los Angeles, CA 90048 P. 323 825 5880
E. info@coupdetatsf.com **COUPDETATSF.COM**

NARCISSE LAMP BY ENTRELACS



FRONT

ITEM NO.	DIMENSIONS	LUMENS	400 LM (NOMINAL)
LT-ENTRELACS-NARCISSE	10.6" DIA X 15.9" H	WATTS	7 W

DESCRIPTION

BRONZE PATINATED TABLE LAMP WITH ALABASTER DIFFUSER.

BRONZE FINISH OPTIONS*

RAW FNRB
MEDIUM BROWN FNMB
BLACK FNBK
LIGHT MARBLE FNLMB

*PLEASE NOTE THAT THE BRONZE HAS A LIVING FINISH. A CLEAR COAT CAN BE APPLIED IF SPECIFIED TO AVOID PATINA.

ALABASTER OPTIONS

WHITE VEINED
BROWN VEINED

SPECIFICATIONS

CLASS :2

PROTECTION : IP44

MAIN POWER : 220-240V-50HZ

LIGHTING : XICATO LINEAR TAPE
- 24VDC CONSTANT VOLTAGE
- 6.7W - 400 LUMENS (NOMINAL).

COLOR : 2700K, 3000K, 3500K, 4000K

DRIVER : INSIDE (DIMMABLE)

CORD LENGTH: 2000MM

WEIGHT : 7.5 KG / 16.5 LBS

CERTIFICATES



STANDARD



OPTIONS



COLORS



VARIATION DIMMING

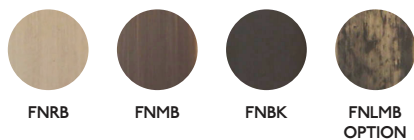


* FACTORY SETTING

ADDITIONAL INFO

BODY LAMP PATINATES BRONZE - PROTECTIVE VARNISH
- ALABASTER DIFFUSER, DIMMABLE LIGHT WITH KNOB
220-240V / 50-60HZ / 24V - LED CANNOT BE CHANGED / 7W

PATINAS



ALABASTERS

