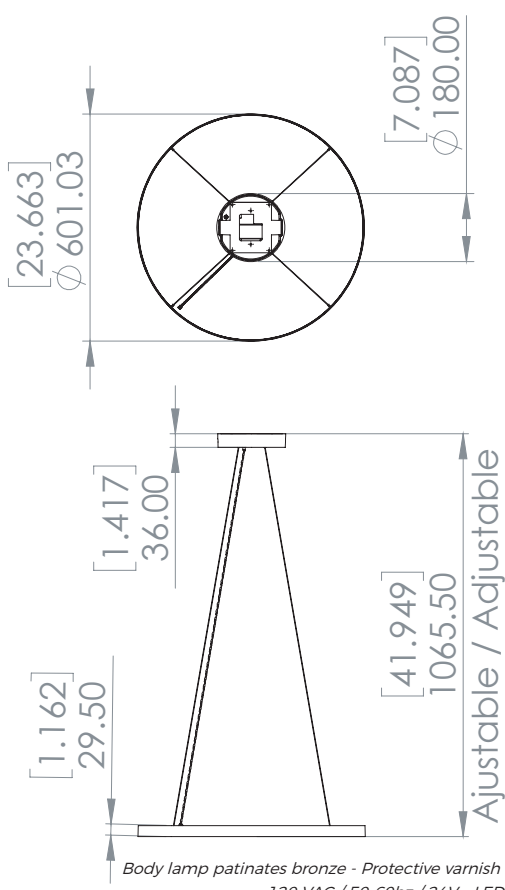


PENDANT HUBLOT 600

Design Yves Macheret



Référence
SUHT600RO

Description

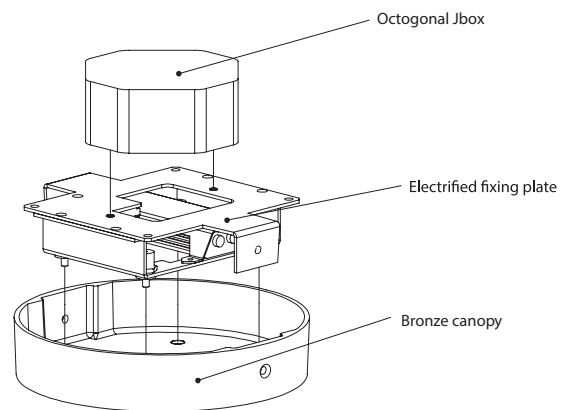
Body lamp patinates bronze - Protective varnish - Alabaster diffuser
120 VAC / 50-60hz / 24V - LED cannot be changed



Specificity

Sources Lumens	strip LED 24V				
Lumens	816 lm (nominal)				
Watts	13				
Weight (lbs)	35				
Certificates	<table border="0"> <tr> <td></td> <td>Class 2</td> <td>Dry location</td> </tr> </table>		Class 2	Dry location	
	Class 2	Dry location			
Standard	<table border="0"> <tr> <td>LED</td> <td>CRF-Ra 98</td> <td>120 VAC 50-60HZ</td> <td></td> </tr> </table>	LED	CRF-Ra 98	120 VAC 50-60HZ	
LED	CRF-Ra 98	120 VAC 50-60HZ			
Colors	<table border="0"> <tr> <td>2700K</td> <td>3000K</td> <td>4000K</td> </tr> </table>	2700K	3000K	4000K	
2700K	3000K	4000K			
Dimming	<table border="0"> <tr> <td>Triac</td> <td>0.10V</td> <td>Dali</td> <td>Other</td> </tr> </table>	Triac	0.10V	Dali	Other
Triac	0.10V	Dali	Other		

Fixing



* Factory setting

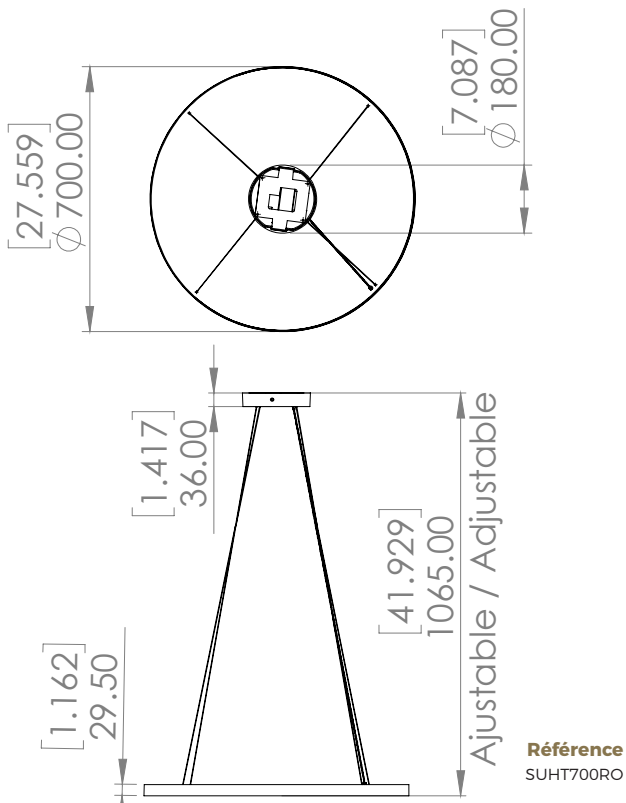
Patinas



Alabaster



PENDANT HUBLOT 700



Référence
SUHT700RO















Description

Body lamp patinates bronze - Protective varnish - Alabaster diffuser
120 VAC / 50-60hz / 24V - LED cannot be changed

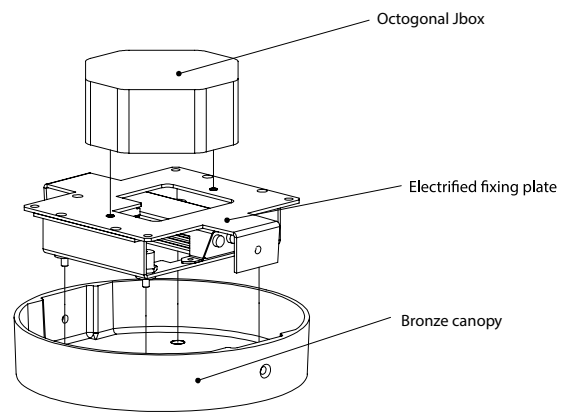


Specificity

Sources Lumens	strip LED 24V
Lumens	945 lm (nominal)
Watts	16
Weight (lbs)	46

Certificates	  
Standard	   
Colors	  
Dimming	   

Fixing



* Factory setting

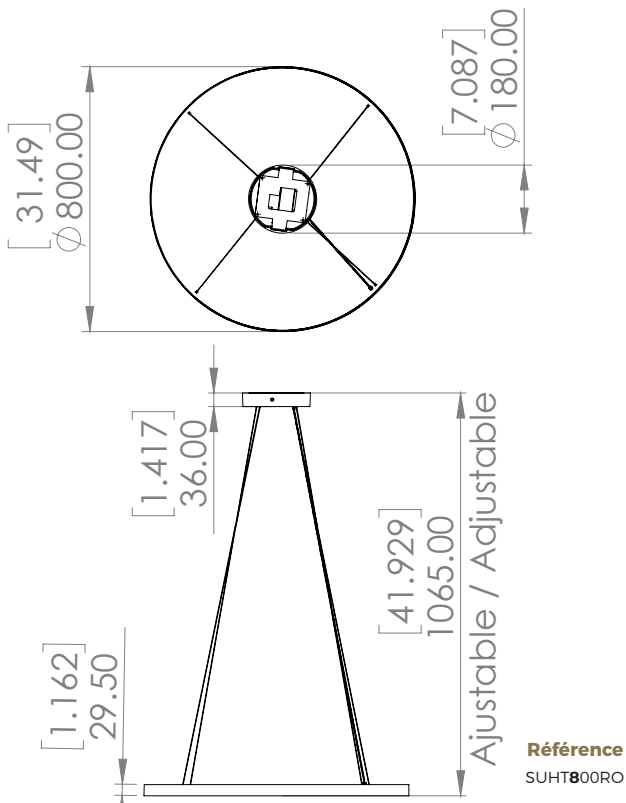
Patinas



Alabaster



PENDANT HUBLOT 800



Référence
SUHT800RO

Description

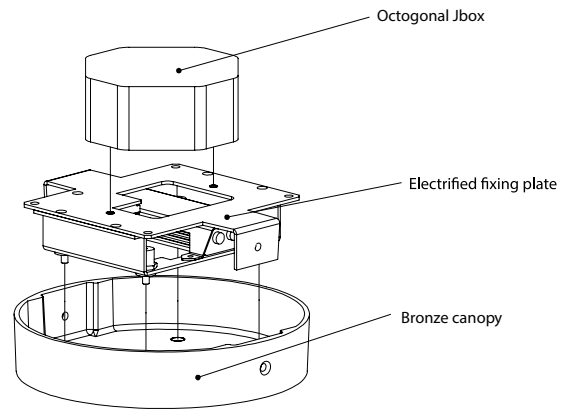
Body lamp patinates bronze - Protective varnish - Alabaster diffuser
120 VAC / 50-60hz / 24V - LED cannot be changed



Specificity

Sources Lumens	strip LED 24V				
Lumens	1040 lm (nominal)				
Watts	20				
Weight (lbs)	46				
Certificates	<table border="1"> <tr> <td></td> <td>Class 2</td> <td>Dry location</td> </tr> </table>		Class 2	Dry location	
	Class 2	Dry location			
Standard	<table border="1"> <tr> <td>LED</td> <td>CRF-Ra 99</td> <td>120 VAC 50-60HZ</td> <td></td> </tr> </table>	LED	CRF-Ra 99	120 VAC 50-60HZ	
LED	CRF-Ra 99	120 VAC 50-60HZ			
Colors	<table border="1"> <tr> <td>2700K*</td> <td>3000K</td> <td>4000K</td> </tr> </table>	2700K*	3000K	4000K	
2700K*	3000K	4000K			
Dimming	<table border="1"> <tr> <td>Triac*</td> <td>0.10V</td> <td>Dali</td> <td>Other</td> </tr> </table>	Triac*	0.10V	Dali	Other
Triac*	0.10V	Dali	Other		

Fixing



* Factory setting

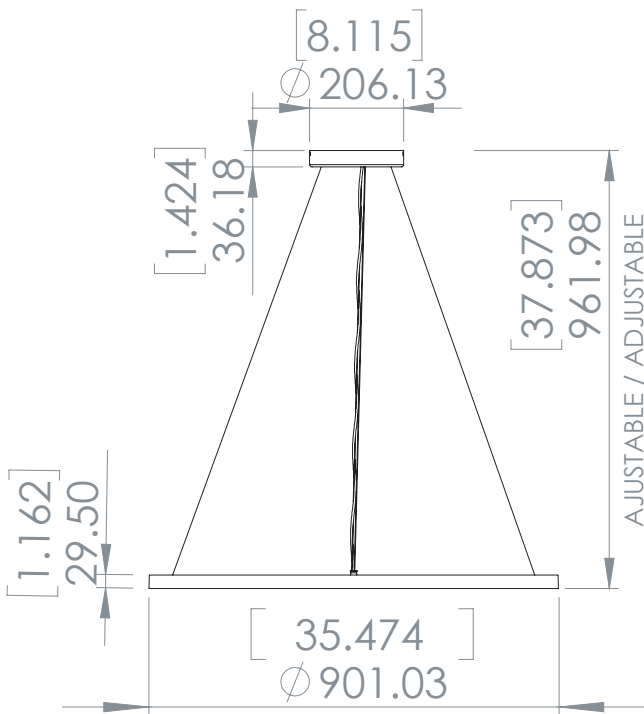
Patinas



Alabaster



PENDANT HUBLOT 900



Reference

SUHT900RO

Description

Corps en bronze patiné - Vernis protecteur - Diffuseur en albâtre
220-240V / 50-60hz / 24V - LED non remplaçable / 20W

*Body lamp in patinated Bronze - Protective varnish - Alabaster
diffuser - 110-240V / 50-60hz / 24V - LED cannot be changed / 20W*



Specificity

Sources Lumens	strip LED 24V
Lumens	1270 lm (nominal)
Watts	20
Weight Kg (lbs)	30 (66)

Certificates



Standard



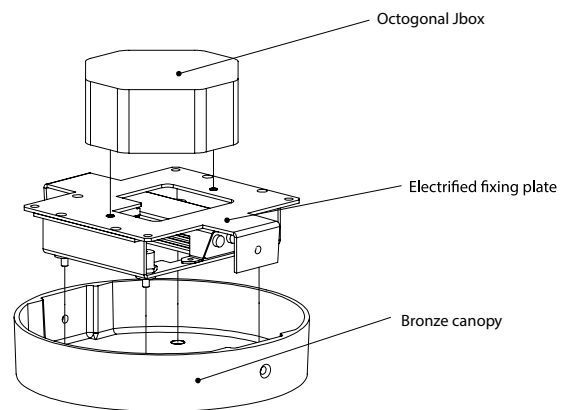
Colors



Dimming

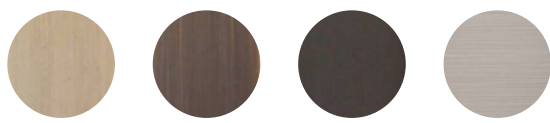


Fixing



* Factory setting

Patinas



FNRB

FNMB

FNBK

FNBN
OPTION

Alabaster



WHITE VEINED

BROWN VEINED