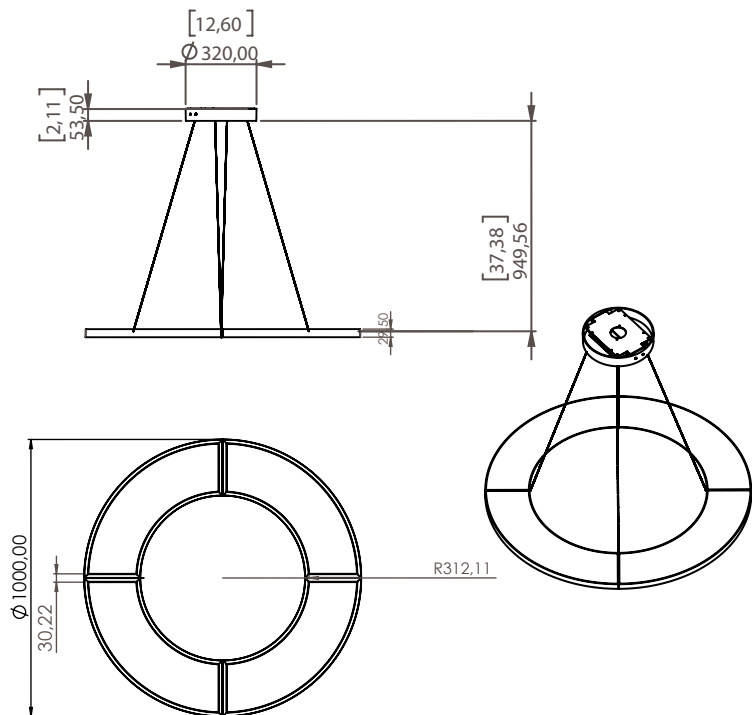


NAM  
mm [in]



# PENDANT HUBLOT 1000 OP

Design Yves Macheret



Reference

**SUHT1000OP**

Description

**Patinated bronze body - Protective varnish - Alabaster diffuser**

*Handmade in France*

## Specificity

Led Sources	<b>strip LED 24V</b>
Power Supply	<b>120-277 VAC / 50/60hz</b>
Lumens	<b>2760 lm (nominal)</b>
Watts	<b>46 W</b>
Weight kg (lbs)	<b>60[132]</b>

Standard	LED	CRI-Ra 98	CE	UL LISTED
----------	-----	-----------	----	-----------

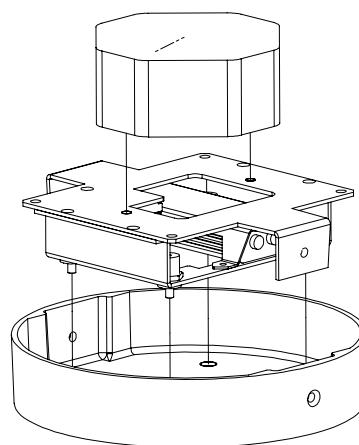
Colors	2700K*	3000K	4000K
--------	--------	-------	-------

Dimming	Phase*	0.10V*	Dali
---------	--------	--------	------

Driver Position	INSIDE*	INSIDE*	REMOTE
-----------------	---------	---------	--------

\*Factory setting

## Fixation



## Bronze Finishings

Patinas



**FNRB**  
RAW  
BRASS

**FNMB**  
MEDIUM  
BRASS

**FNBK**  
BLACK  
BRASS

Special



**FNBN**  
BRUSHED  
NICKEL

**CUSTOM**  
FINISHING  
ON DEMAND

## Alabasters

Type



**WHITE**  
VEIN

**BROWN**  
VEIN

**COUPDETAT**

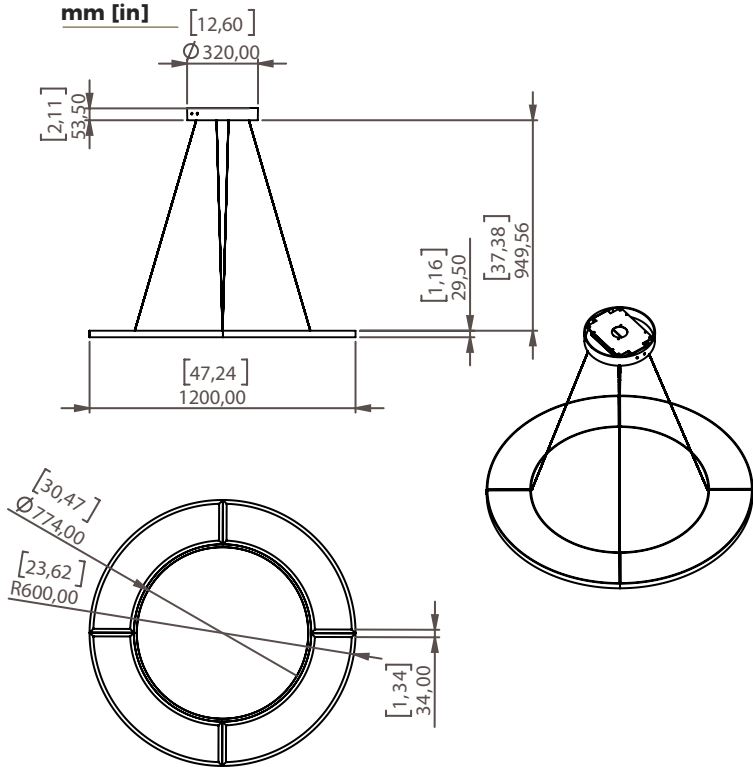
111 RHODE ISLAND STREET, SUITE I  
SAN FRANCISCO, CA 94103  
415-241-9300

100 N ROBERTSON BLVD,  
LOS ANGELES, CA 90048  
323-825-5880

WWW.COUPDETATSF.COM  
INFO@COUPDETATSF.COM

NAM

mm [in]



# PENDANT HUBLOT 1200 OP

Design Yves Macheret



Reference

**SUHT1200OP**

Description

**Patinated bronze body - Protective varnish - Alabaster diffuser**

Handmade in France

## Specificity

Led Sources	<b>strip LED 24V</b>
Power Supply	<b>120-277 VAC / 50/60hz</b>
Lumens	<b>2760 lm (nominal)</b>
Watts	<b>46 W</b>
Weight kg (lbs)	<b>60[132]</b>

Standard	LED	CRI-Ra 98	CE	UL LISTED
----------	-----	-----------	----	-----------

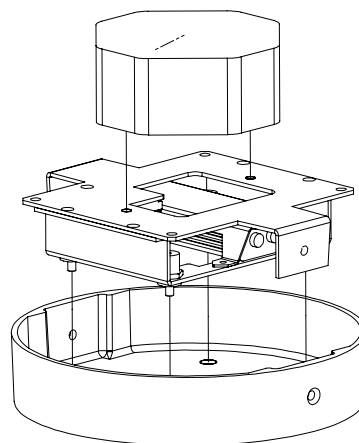
Colors	2700K*	3000K	4000K
--------	--------	-------	-------

Dimming	Phase*	0.10V*	Dali
---------	--------	--------	------

Driver Position	INSIDE*	INSIDE*	REMOTE
-----------------	---------	---------	--------

\*Factory setting

## Fixation



## Bronze Finishings

Patinas



**FNRB**  
RAW  
BRASS

**FNMB**  
MEDIUM  
BRASS

**FNBK**  
BLACK  
BRASS

Special



**FNBN**  
BRUSHED  
NICKEL

**CUSTOM**  
FINISHING  
ON DEMAND

## Alabasters

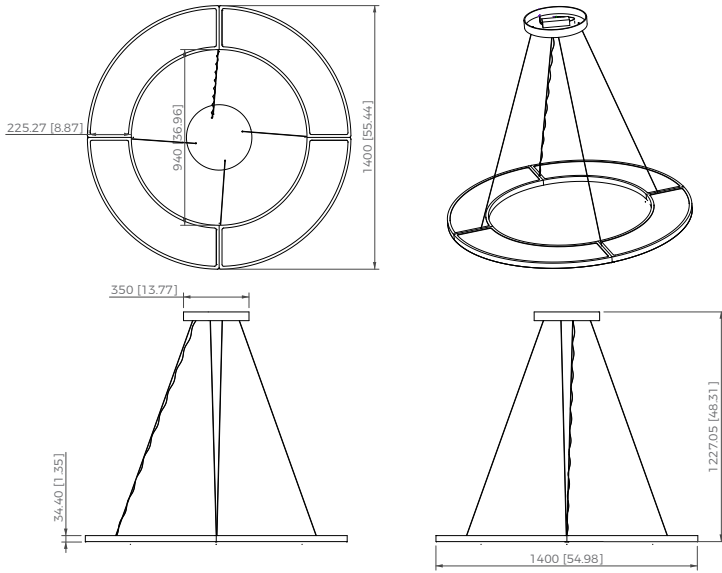
Type



**WHITE**  
VEIN

**BROWN**  
VEIN

**Dimension**  
mm [in]



Reference  
**SUHT1400OP**

Description  
**Patinated bronze body - Protective varnish - Alabaster diffuser**  
LED and electrical components can be changed by a professional  
**110-120V / 50-60hz / 24V**

Handmade in France

# PENDANT HUBLOT 1400 OP

Design Yves Macheret



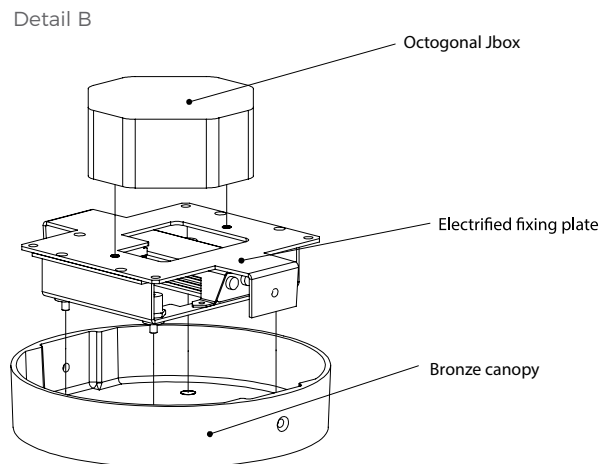
**Specificity**

Sources Led **strip LED 24V**  
Lumens **2000 lm (nominal)**  
Watts **40**  
Weight lbs (Kg) **91 (41.3)**

Standard	110 277V 50-60HZ	UL LISTED	CLASS 2	DRY Location	DAMP Location
Colors	2700K*	3000K	4000K		
Dimming	Triac* Fase Dim	0.10V	Dali		
Driver Position	INSIDE	INSIDE	REMOTE		

\*Factory setting

**Fixing**



**Bronze Finishes**

Patinas



Special



**Alabasters**

Type

