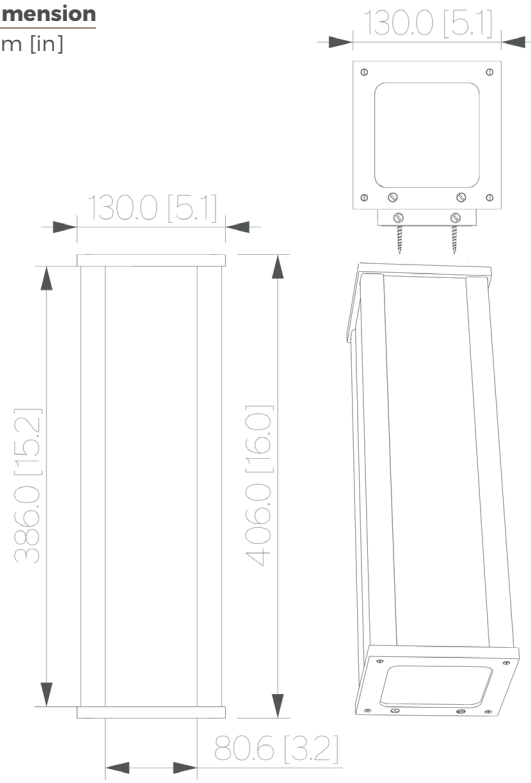


Dimension
mm [in]



SCONCE LANTERN 400

Design Yves Macheret



Reference
WLLN400SQ
Description
Patinated bronze body - Alabaster diffuser - Protective varnish
Reparability
Driver and led are replaceable

Handmade in France in our foundry

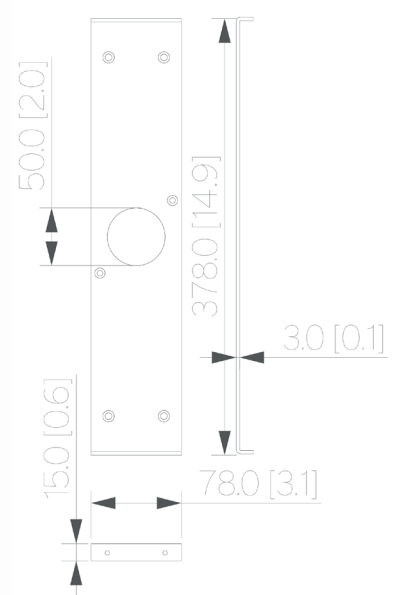
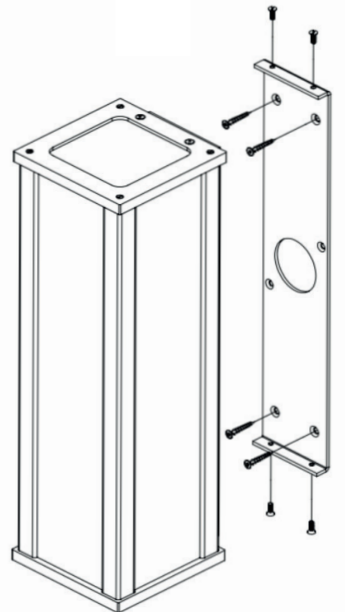
Specificity

- Power supply **110-120V / 50-60hz / 24V**
- Sources Led **LED module Xicato 24V**
- Lumens **500 lm (nominal)**
- Watts **15**
- Weight lbs [Kg] **35 [14]**

Standard					
Colors					
Dimming					
Driver Position					

** Workshop setting*

Fixing



Bronze Finishes

Patinas



FNRB
RAW
BRONZE



FNMB
MEDIUM
BRONZE



FNBK
BLACK
BRONZE

Special



FNBN
BRUSHED
NICKEL



CUSTOM
FINISHING
ON DEMAND

Alabasters

Type



WHITE
VEIN



BROWN
VEIN