

SCONCE MARTEL 300 OP

Design Felix Millory



Reference

WLML300OP

Description

Patinated bronze body - Protective varnish - Alabaster diffuser

Handmade in France

Specificity

- Led Sources **RS7 220-240V / 50-60hz / 24V**
- Lumens **750 lm (nominal)**
- Watts **14W**
- Weight kg (lbs) **2.7 [6]**

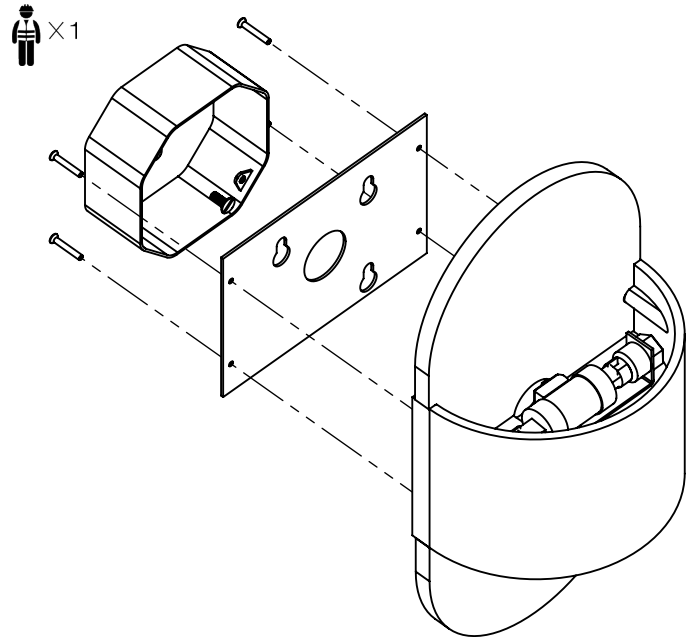
Standard

Colors

Dimming

Driver Position

Fixation



Factory setting

Bronze Finishing

Patinas

FNRB
RAW
BRONZE

FNMB
MEDIUM
BRONZE

FNBK
BLACK
BRONZE

Special

FNBN
BRUSHED
NICKEL

CUSTOM
FINISHING
ON DEMAND

Alabasters

Type

WHITE
VEIN

BROWN
VEIN