

Reference

**WLML300RC**

Description

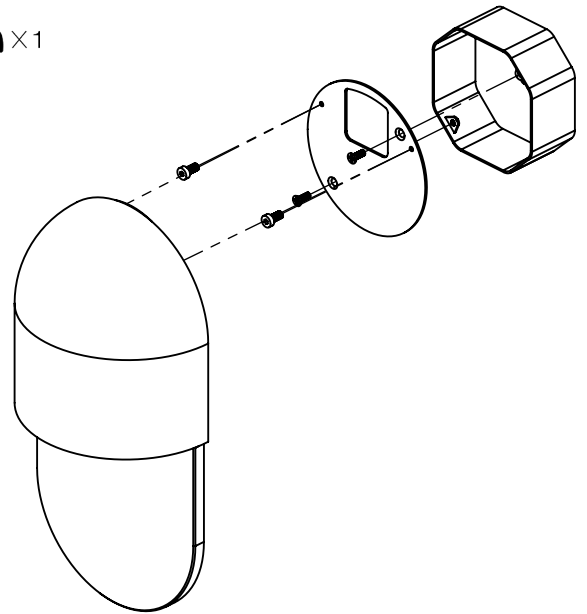
**Patinated bronze body - Protective varnish - Alabaster diffuser**

*Handmade in France*

**Specificity**

|                 |                         |                                 |
|-----------------|-------------------------|---------------------------------|
| Led Sources     | <b>COB</b>              | <b>220-240V / 50-60hz / 24V</b> |
| Lumens          | <b>700 lm (nominal)</b> |                                 |
| Watts           | <b>6W</b>               |                                 |
| Weight kg (lbs) | <b>2.7 [6]</b>          |                                 |
| Standard        |                         |                                 |
| Colors          |                         |                                 |
| Dimming         |                         |                                 |
| Driver Position |                         |                                 |

**Fixation**



*Factory setting*

**Bronze Finishing**

Patinas



**FNRB**  
RAW  
BRONZE



**FNMB**  
MEDIUM  
BRONZE



**FNBK**  
BLACK  
BRONZE

Special



**FNBN**  
BRUSHED  
NICKEL



**CUSTOM**  
FINISHING  
ON DEMAND

**Alabasters**

Type



**WHITE**  
VEIN



**BROWN**  
VEIN