

# COUP D'ETAT



**Cube Chest**  
**by Ochre**  
*Contemporary*  
United States

Hinged upholstered blanket chest with lining.

**large:**

59" W x 16" H x 14" D

C.O.M. requirements: base 5m/ 5 1/2 yards  
C.O.L. requirements: base 99 sq ft

fabrics: C.O.M.  
nubuck/mohair/leather  
horsehair

UO-OC-CCHEST-LG

**small:**

47" W x 16" H x 14" D

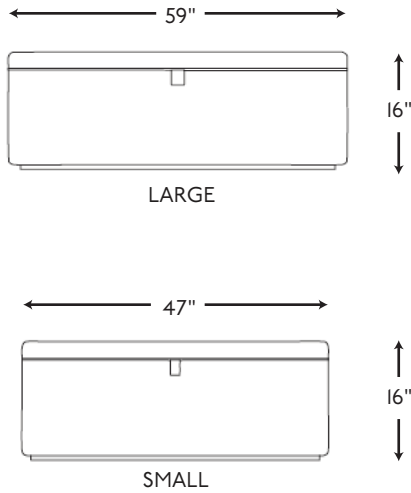
C.O.M. requirements: base 4m/ 4 1/2 yards  
C.O.L. requirements: base 81 sq ft

fabrics: C.O.M.  
nubuck/mohair/leather  
horsehair

UO-OC-CCHEST-SM

# CUBE CHEST

COLOURS SHOWN ARE A GENERAL INDICATION OF THE ACTUAL FINISH



## CUBE CHEST

**DIMENSIONS:** 120CM W X 35CM D X 40CM H  
47" W X 14" D X 16" H

**DESCRIPTION:** UPHOLSTERED HINGED BLANKET CHEST

**FABRICS:** NUBUCK/LEATHER/HORSEHAIR/C.O.M. WITH LINEN LINING

**COLOURS:** NUBUCK - PEWTER/ELEPHANT GREY/GAZELLE/AQUA/MUSHROOM  
LEATHER - BLACK/BROWN/RED/PUTTY  
HORSEHAIR - PLEASE ENQUIRE

**COM QUANTITY:** 4M/4½ YARDS  
BASED ON PLAIN FABRIC, STANDARD WIDTH 137CM/54"  
LEATHER/NUBUCK - DEPENDENT ON SIZE OF HIDE  
HORSEHAIR - 5M/5½ YARDS

**WEIGHT:** APPROX 23KG/50¾LBS

**LEAD TIME:** 10 - 12 WEEKS  
PRICES EXCLUSIVE OF SHIPPING AND PACKING

## CUBE CHEST LONG

**DIMENSIONS:** 150CM W X 35CM D X 40CM H  
59" W X 14" D X 16" H

**COM QUANTITY:** 5M/5½ YARDS  
BASED ON PLAIN FABRIC, STANDARD WIDTH 137CM/54"  
LEATHER/NUBUCK - DEPENDENT ON SIZE OF HIDE  
HORSEHAIR - 7M/8 YARDS

**WEIGHT:** APPROX 30KG/66LBS