

Refractory



Shown in Otter Bronze and Suede Glass with Etched interior

Y. OKN.CMT.01

Specifications

Dimensions	in	cm
Height	5.5	14
Diameter	11	28
Weight	24 lbs	

Materials and Finishes

Cast Bronze available in
Collection Bronze Patinas
except Muslin

Contrasting patinas may be specified
for dome and canopy, Polished Bronze
finish not recommended for canopy

Cast Glass Shade available in
Collection Glass Colors and
Cast Texture or Etched interior

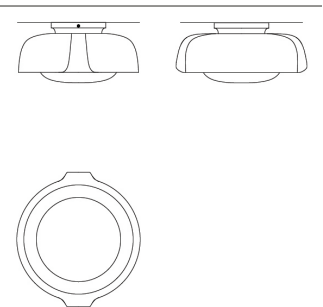
Lamping

UL Listed, E26 Socket
2700K (Clear Glass Shade)
3000K (Colored Glass Shade)
Ships with Feit Electric (Short)
40 W Equivalent Dimmable LED bulb

Okenite Ceiling Mount No. 1 with Bronze Dome

The Okenite series draws from the nature of a geode whose exterior surface, upon splitting open, is quite distinct from what is discovered on the interior. The hand-polished fins of the vessels flow into vertical spines and hulls.

A ceiling mounted cast glass form, with exposed bulb or with an anchored cast bronze dome, the Okenite Ceiling Mount casts layered and nuanced light onto the ceiling surface. Glass is available with cast texture interior or with the interior surface etched. Available in a smaller size.



Details at right: shown in Otter Bronze and Suede Glass with Etched interior (above), Polished Bronze and Clear Glass with Etched interior (below)