

Rib Table Lamp

---



COUP D'ETAT

111 RHODE ISLAND STREET, SUITE 1  
SAN FRANCISCO, CA 94103  
415-241-9300

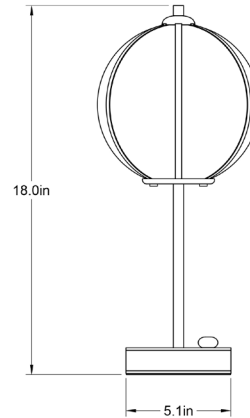
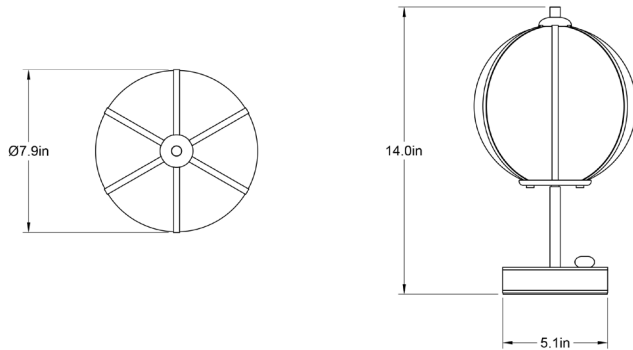
100 N ROBERTSON BLVD.  
LOS ANGELES, CA 90048  
323-825-5880

WWW.COUPDETATSF.COM  
INFO@COUPDETATSF.COM

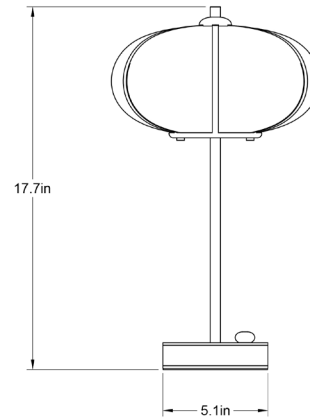
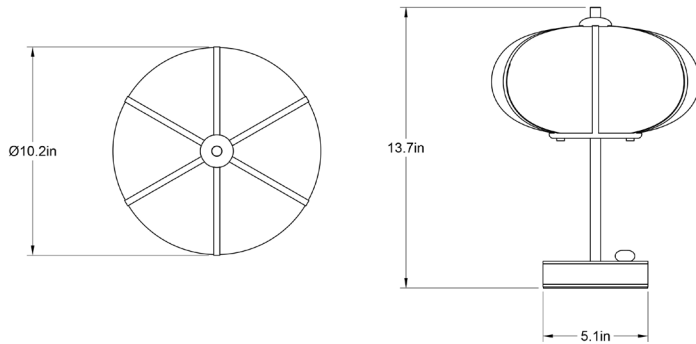
The Rib Table Lamps are available in two different glass shapes, each blown in Italy and delicately framed by thin brass ribs. A cylindrical brass base is wrapped in leather or suede, enhancing the rich interplay of colors and textures.

The Rib collection continues Konekt's exploration of opposing characteristics — finding balance between strength and fragility, soft curves and sharp lines, adornment and moderation.

## Sphere



## Ellipse



## Rib Table Lamp

### Dimensions

Sphere: 8"D x 14"H or 18"H

Ellipse: 10.25"D x 13.75"H or 17.75"H

### Materials

Glass, brass and hand-wrapped leather or suede

### Finishes

Satin brass, polished brass\*, antique brass, oil-rubbed bronze, satin black, satin nickel, antique nickel or polished nickel

*\*polished brass is waxed and unlacquered as a live finish, allowing a natural patina to develop over time*

### Leather color options

Maroon, tan, cream, fumo, mocha, or dark olive

### Suede color options

Walnut, beige, or pearl

### Lead time

8-12 weeks

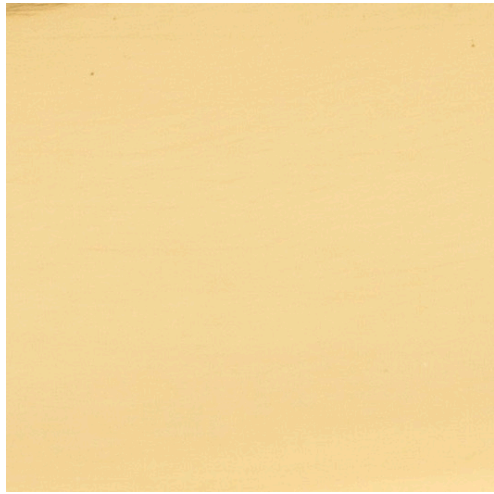
### Lamping

E12 | 120V | 60W | Dimmable

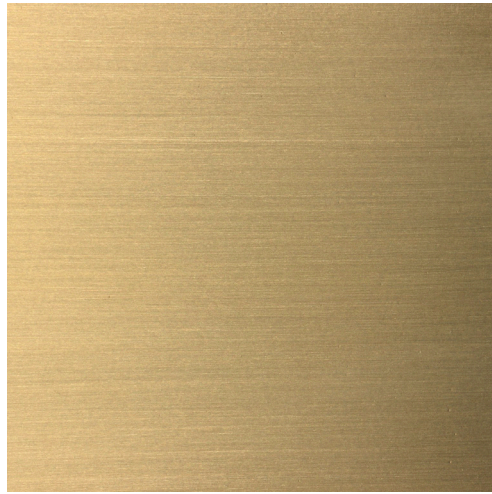
7W dimmable LED bulb included

120V; 700 lumens; 2700k color temperature

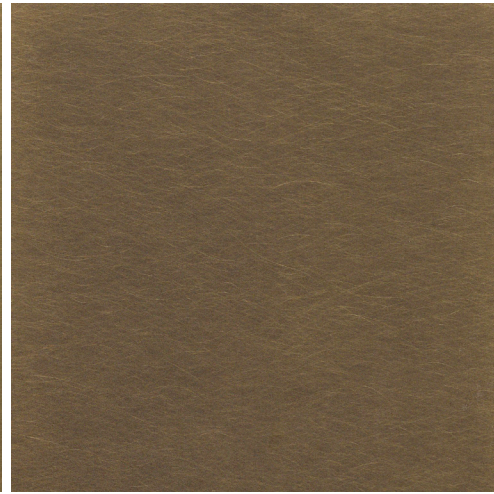




Polished Brass



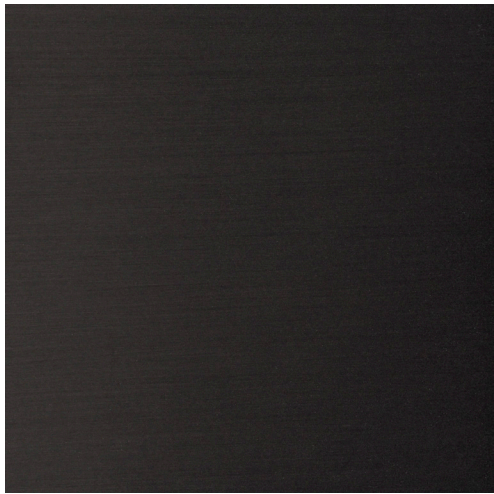
Satin Brass



Antique Brass



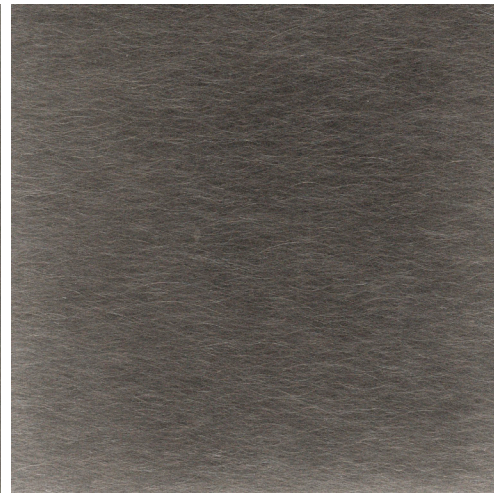
Oil-Rubbed Bronze



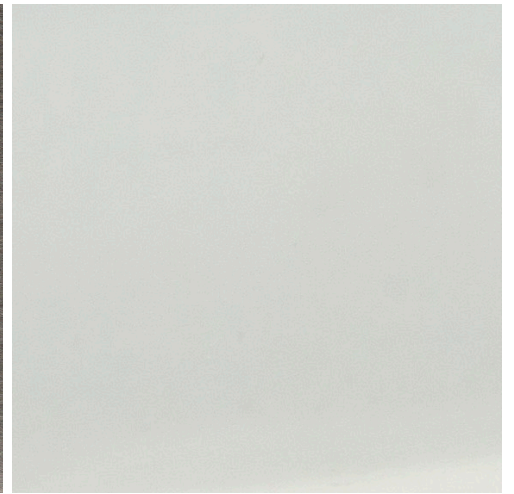
Satin Black



Satin Nickel



Antique Nickel



Polished Nickel





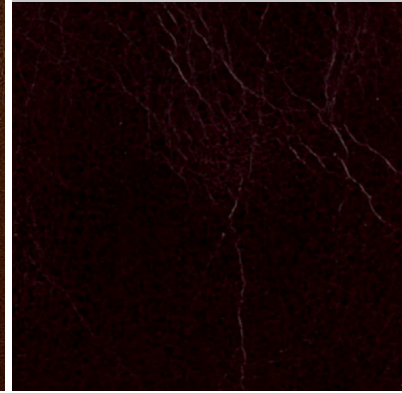
Beige Suede



Pearl Suede



Walnut Suede



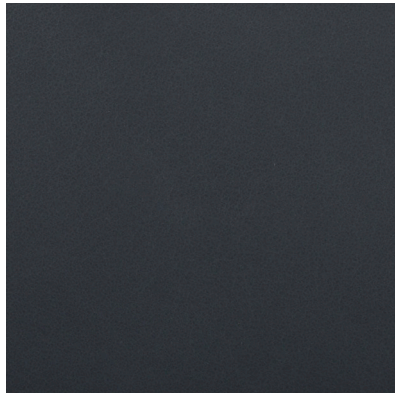
Maroon Leather (distressed)



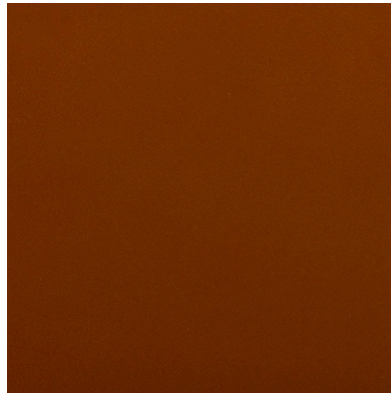
Mocha Leather



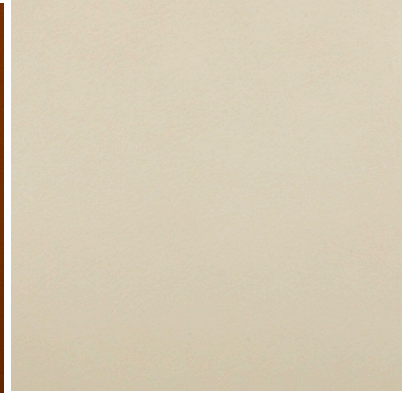
Dark Olive Leather



Fumo Leather



Tan Leather



Cream Leather