

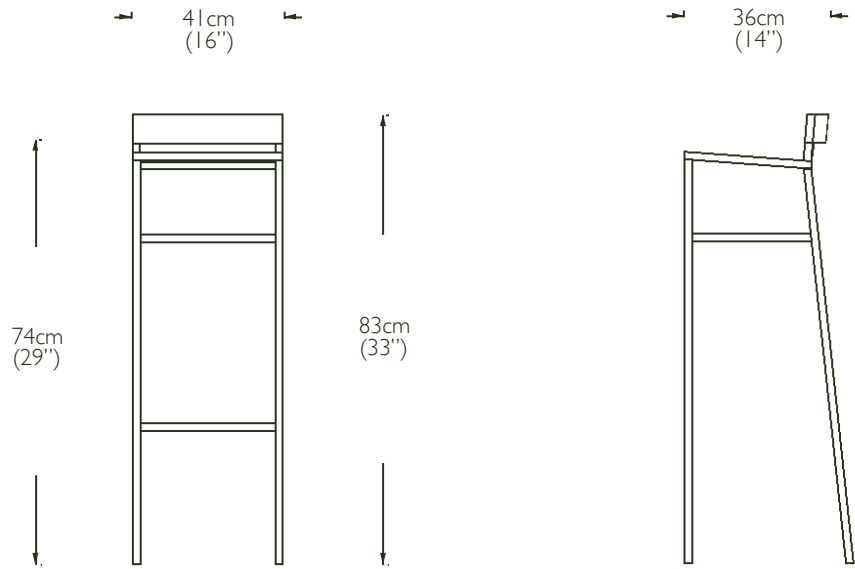
OCHRE



COUP D'ETAT

111 RHODE ISLAND STREET, SUITE I
SAN FRANCISCO, CA 94103
T. 415-241-9300

WWW.COUPDETATSF.COM
INFO@COUPDETATSF.COM



dimensions:

overall - 41cm w x 36cm d x 83cm h (16'' w x 14'' d x 33'' h)
 seat height - 74cm (29'')

weight:

approx 8kg (18lbs)

also available:

overall - 41cm w x 36cm d x 73cm h (16'' w x 14'' d x 29'' h)
 seat height - 64cm (25'')

weight:

approx 7.5kg (16½lbs)

leather colour can vary from hide to hide and will change naturally over time based on use and exposure to sunlight • hides are selected from the finest leathers with natural variations in colour, veining, marks and scars • such characteristics should therefore not be considered as faults • this is a natural, unfinished leather which has a silky soft feel and should be treated with care as it can bruise if it comes into contact with hard or sharp objects

sable bar stool 74cm

metal frame clad in the finest Italian saddle leather with hand-sewn pinched seams and scalloped corner details, brass footbar