



CB-345 Stripe 8 Dining Table

Stripe Tables

by BassamFellows

Contemporary
United States

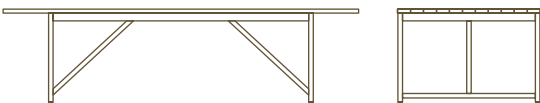
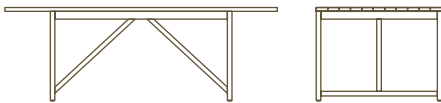

The Stripe Table Collection borrows structural principles from architecture to modernize and streamline the classic farm table. Inspired in part by the aesthetics of a common workman's bench, the table's base utilizes a truss structure to provide stability and strength without unnecessary bulk. Each item in the Stripe Table Collection evinces the Bassam-Fellows 'minimal artisanal' ethos, displaying a contemporary, minimalistic profile whilst celebrating the integrity of natural materials. Each is made from alternating planks of solid Teak, Ash, and Walnut to create a "stripe" effect, adding a bold graphic punch to the simple, architectural base. (The plank top is also available in a single wood type, if desired).

- CB-341 Stripe 8 Table
- CB-342 Stripe 6 Table
- CB-343 Stripe Coffee Table



STRIPE TABLES

COUP D'ETAT

DESCRIPTION	DIMENSIONS	WEIGHT	CODE
 <p>CB-341 Stripe 8 Table</p>	<p>W 107 7/8" D 43 1/4" H 28 3/8" T 1 1/4"</p>	319 lbs	<p>CB-341-A CB-341-W CB-341-X CB-341-T</p>
 <p>CB-342 Stripe 6 Table</p>	<p>W 82 3/4" D 38 1/8" H 28 3/8" T 1 1/4"</p>	292 lbs	<p>CB-342-A CB-342-W CB-342-X CB-342-T</p>
 <p>CB-343 Stripe Coffee Table</p>	<p>W 63" D 26" H 12" T 3/4"</p>	33 lbs	<p>CB-343-A CB-343-W CB-343-X CB-343-T</p>

WOOD TYPES:

Combination Solid Teak/Walnut/Ash (X) or Solid Teak (T), Solid Walnut (W), Solid Ash (A).

WOOD FINISHES:

Hand rubbed penetrating polyurethane on Combination Teak/Walnut/Ash (NA) or on single wood type Teak (NA), Walnut (NA), or Ash (NA). Ebonized black lacquer on Ash (EB) or bleached, white pigment, matte acrylic on Ash (BL).

METAL FINISHES:

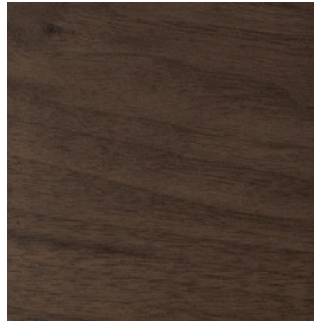
Hand rubbed penetrating polyurethane on Ash (NA), Ebonized black lacquer on Ash (EB) or bleached, white pigment, matte acrylic on Ash (BL).

Wood

by BassamFellows



Walnut
W-NA



Walnut Black Oil
W-BO



Oak
O-NA



Oak Raw Effect
O-RE



White Ash
A-BL



Ebonized Ash
A-EB



Teak
T-NA



Iroko
I-NA



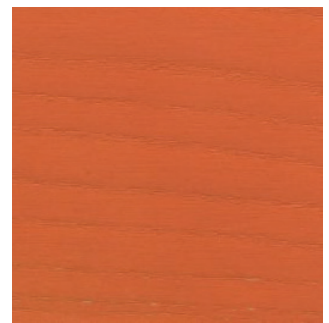
Sage Green Ash
A-SG



Sun Yellow Ash
A-SY



Horizon Blue Ash
A-HB



Mesa Red Ash
A-MR