



**Teardrop Pendant - Large 3 Cluster**

*by* **Konekt**

*Contemporary*

United States

A carefully crafted, hand-blown glass pendant hangs from a spun brass cone for an elongated and elegant teardrop shape. Available in two sizes as a single pendant, a cluster of three or five pendants, or a custom cluster.

**Dimensions:** 19 5/8" D

**Materials:** Hand-blown Glass and Brass.

**UL listed.**

TEARDROP PENDANT - LARGE 3 CLUSTER

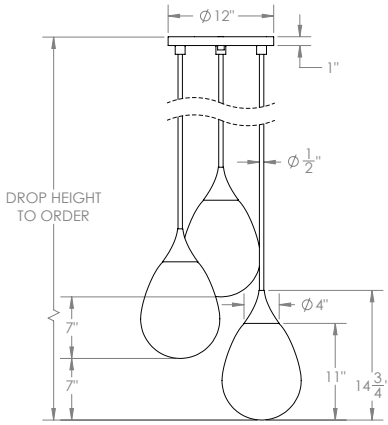
# COUP D'ETAT

DESCRIPTION

DIMENSIONS

LAMPING

INCLUSIONS



19.625"D

\*Drop length cut to order.

E26 | 120V | 60W

9.5W dimmable LED bulb included  
120V; 950 lumens; 2700k

METAL:

- Satin Brass
- Antique Brass
- Oil-rubbed Bronze
- Satin Black
- Satin Nickel
- Antique Nickel

GLASS OPTIONS:

- White
- Grey

ADDITIONAL:

UL listed.  
Pricing includes up to 78"H. For longer drop lengths inquire for custom quote.

## Metal Finish Options

by Konekt



Satin Brass



Antique Brass



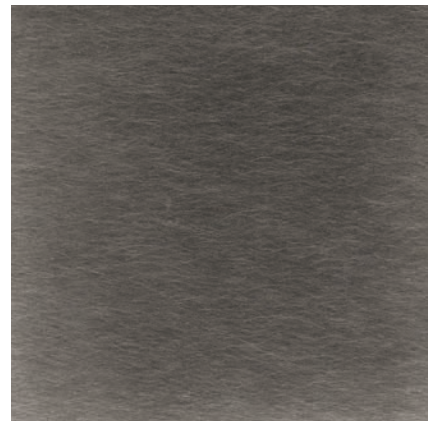
Oil-Rubbed Bronze



Satin Black



Satin Nickel



Antique Nickel