



**Teardrop Pendant - Small 3 Cluster**

*by* **Konekt**

*Contemporary*

United States

A carefully crafted, hand-blown glass pendant hangs from a spun brass cone for an elongated and elegant teardrop shape. Available in two sizes as a single pendant, a cluster of three or five pendants, or a custom cluster.

**Dimensions:** 12”D

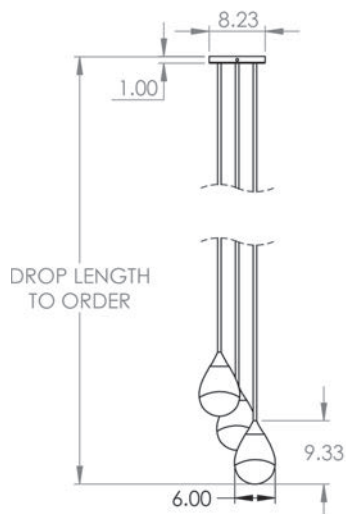
**Materials:** Hand-blown Glass and Brass.

**UL listed.**

TEARDROP PENDANT - SMALL 3 CLUSTER

# COUP D'ETAT

DESCRIPTION	DIMENSIONS	LAMPING	INCLUSIONS
-------------	------------	---------	------------



12" D

\*Drop length cut to order.

E12 | 120V | 60W

9.5W dimmable LED bulb included  
120V; 950 lumens; 2700k

**METAL:**

- Satin Brass
- Antique Brass
- Oil-rubbed Bronze
- Satin Black
- Satin Nickel
- Antique Nickel

**GLASS OPTIONS:**

- White
- Grey

**ADDITIONAL:**

UL listed.  
Pricing includes up to 78"H. For longer drop lengths inquire for custom quote.

## Metal Finish Options by Konekt



Satin Brass



Antique Brass



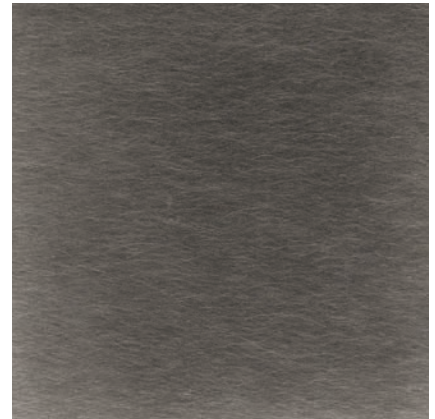
Oil-Rubbed Bronze



Satin Black



Satin Nickel



Antique Nickel