

# COUP D'ETAT



## **Teardrop Pendant Three Cluster - Large** **by konekt**

*Contemporary*

United States

A carefully crafted, hand-blown glass pendant hangs from a spun brass cone for an elongated and elegant teardrop shape. Available in two sizes as a single pendant, a cluster of three or five pendants, or a custom cluster.

### **Dimensions:**

Canopy: 12"D

Overall Diameter: 19 5/8 "D

Overall Drop Length: Up to 78"H\*

Drop length cut to order.\*

**Materials:** Hand-blown Glass and Brass

**Glass Color :** White or Grey

111 Rhode Island Street, Suite 1 San Francisco, CA 94103 P. 415 241 9300

100 N Robertson Blvd, Los Angeles, CA 90048 P. 323 825 5880

E. [info@coupdetatsf](mailto:info@coupdetatsf) **COUPDETATSE.COM**

# COUP D'ETAT



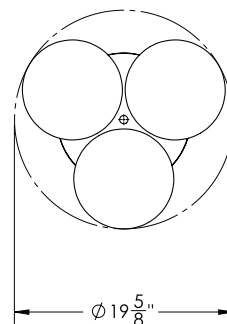
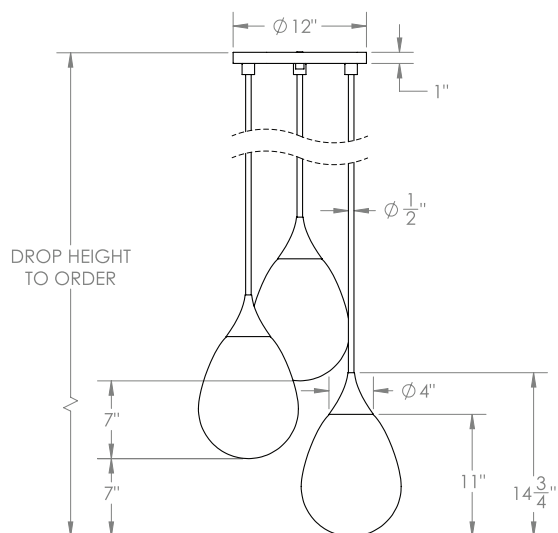
## Teardrop Pendant Three Cluster - Large by konekt

*Contemporary*  
United States

**Finish:** Satin Brass, Antique Brass\*, Oil-rubbed Bronze\*,  
Satin Black\*, Satin Nickel\* or Antique Nickel\*  
(Upcharge for Premium finishes\*)

**Lamping:** E26 | 120V | 60W  
9.5W dimmable LED bulb included 120V;  
950 lumens; 2700k color temperature

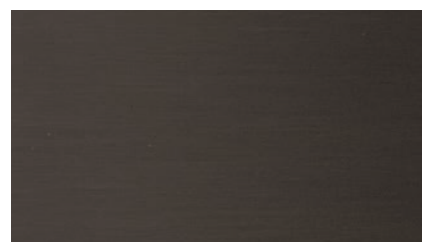
UL listed



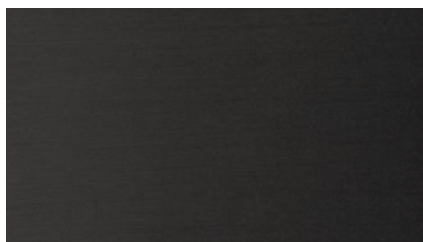
Satin Brass



Antique Brass\*



Oil-Rubbed Bronze\*



Satin Black\*



Satin Nickel\*



Antique Nickel\*