

COUP D'ETAT



Teardrop Pendant Five Cluster - Small **by konekt**

Contemporary

United States

A carefully crafted, hand-blown glass pendant hangs from a spun brass cone for an elongated and elegant teardrop shape. Available in two sizes as a single pendant, a cluster of three or five pendants, or a custom cluster.

Dimensions:

Canopy: 18"D

Overall Diameter: 21"D

Overall Drop Length: Up to 78"H*

Drop length cut to order.*

Materials: Hand-blown Glass and Brass

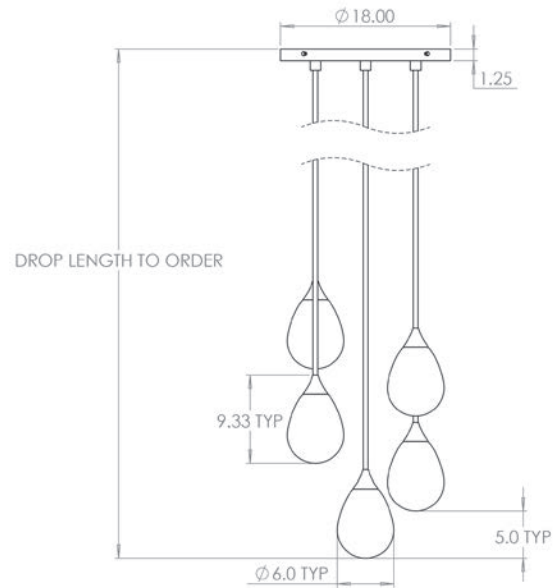
Glass Color : White or Grey

COUP D'ETAT



Teardrop Pendant Five Cluster - Small by konekt

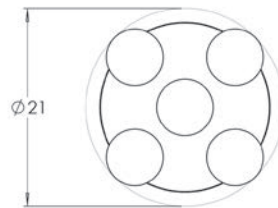
Contemporary
United States



Finish: Satin Brass, Antique Brass*, Oil-rubbed Bronze*,
Satin Black*, Satin Nickel* or Antique Nickel*
(Upcharge for Premium finishes*)

Lamping: E12 | 120V | 60W
9.5W dimmable LED bulb included
120V; 950 lumens; 2700k color temperature

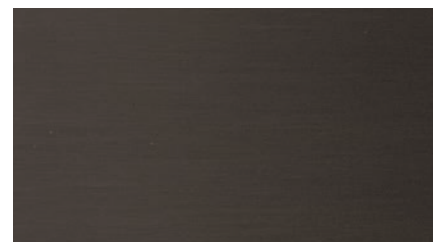
UL listed



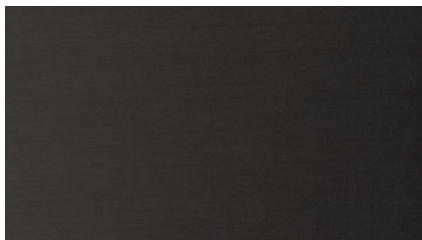
Satin Brass



Antique Brass*



Oil-Rubbed Bronze*



Satin Black*



Satin Nickel*



Antique Nickel*