

# COUP D'ETAT



## **Teardrop Pendant Three Cluster - Small** **by konekt**

*Contemporary*

United States

A carefully crafted, hand-blown glass pendant hangs from a spun brass cone for an elongated and elegant teardrop shape. Available in two sizes as a single pendant, a cluster of three or five pendants, or a custom cluster.

### **Dimensions:**

Canopy: 8 1/4"D

Overall Diameter: 12"D

Overall Drop Length: Up to 78"H\*

Drop length cut to order.\*

**Materials:** Hand-blown Glass and Brass

**Glass Color :** White or Grey

# COUP D'ETAT



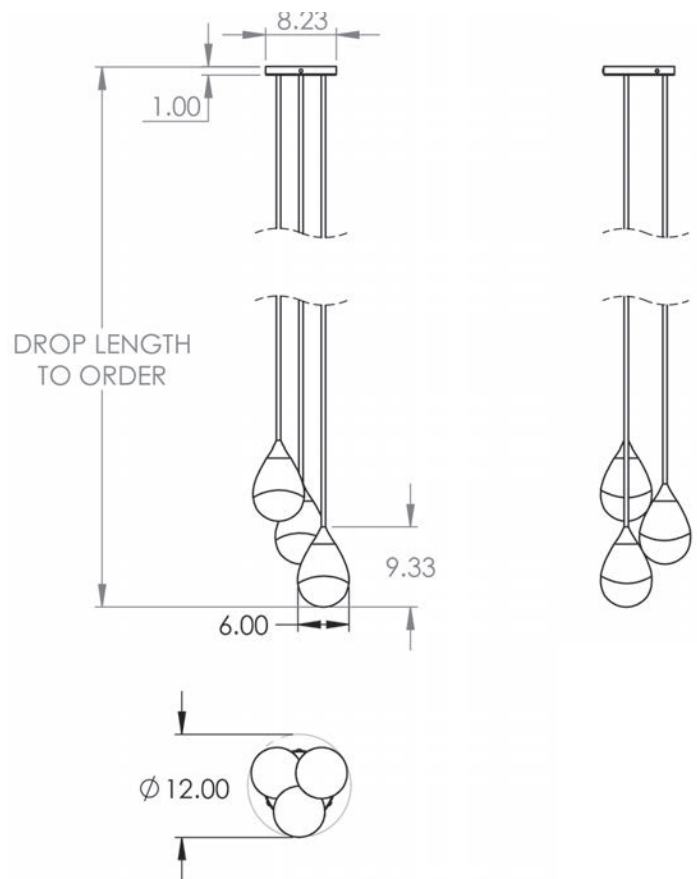
## Teardrop Pendant Three Cluster - Small by konekt

Contemporary  
United States

**Finish:** Satin Brass, Antique Brass\*, Oil-rubbed Bronze\*,  
Satin Black\*, Satin Nickel\* or Antique Nickel\*  
(Upcharge for Premium finishes\*)

**Lamping:** E12 | 120V | 60W  
9.5W dimmable LED bulb included  
120V; 950 lumens; 2700k color temperature

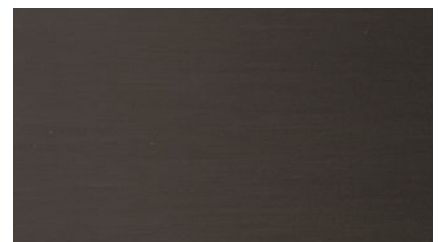
UL listed



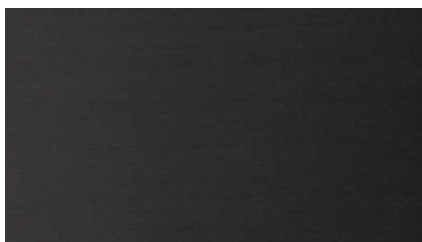
Satin Brass



Antique Brass\*



Oil-Rubbed Bronze\*



Satin Black\*



Satin Nickel\*



Antique Nickel\*