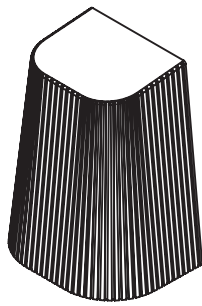
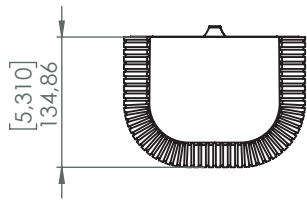
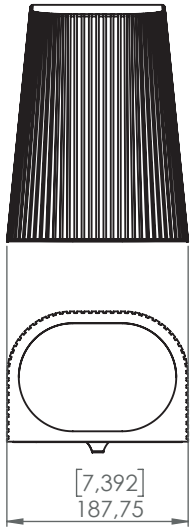
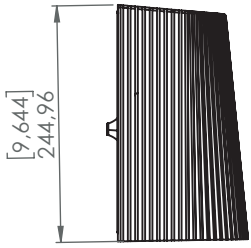


NAM
mm [in]



SCONCE UPPER 250

Design Yves Macheret



Reference
WLUR250RC

Description

Patinated bronze body - Protective varnish - Glass diffuser

Handmade in France

Specificity

Led Sources	LED COB 120-277VAC / 50-60hz / 34V
Lumens	1091 lm (nominal)
Watts	8.4 W
Weight kg (lbs)	5.4 [11.9]

Standard	LED	CRI-Ra 98	UL LISTED	RoHS
----------	-----	-----------	-----------	------

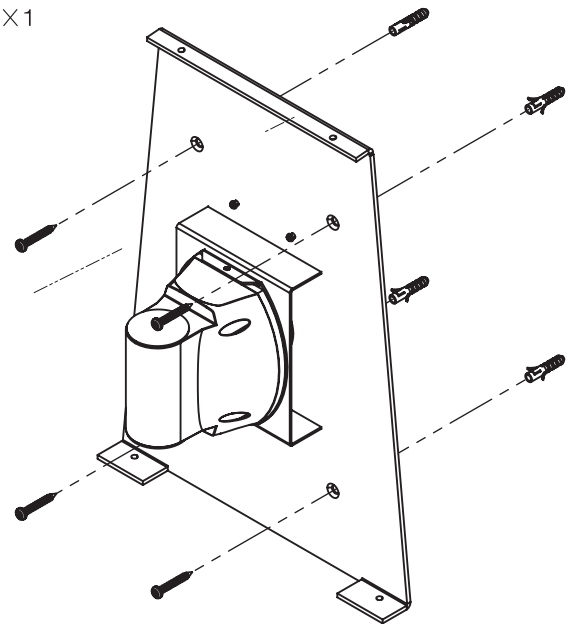
Colors	2700K*	3000K
--------	--------	-------

Dimming	Triac*	0.10V	Dali
---------	--------	-------	------

Driver Position	INSIDE*	INSIDE	INSIDE
-----------------	---------	--------	--------

* Factory setting

Fixation



Bronze Finishing

Patinas



FNRB
RAW
BRASS



FNMB
MEDIUM
BRASS



FNBK
BLACK
BRASS

Special



FNBN
BRUSHED
NICKEL



CUSTOM
FINISHING
ON DEMAND

Alabasters

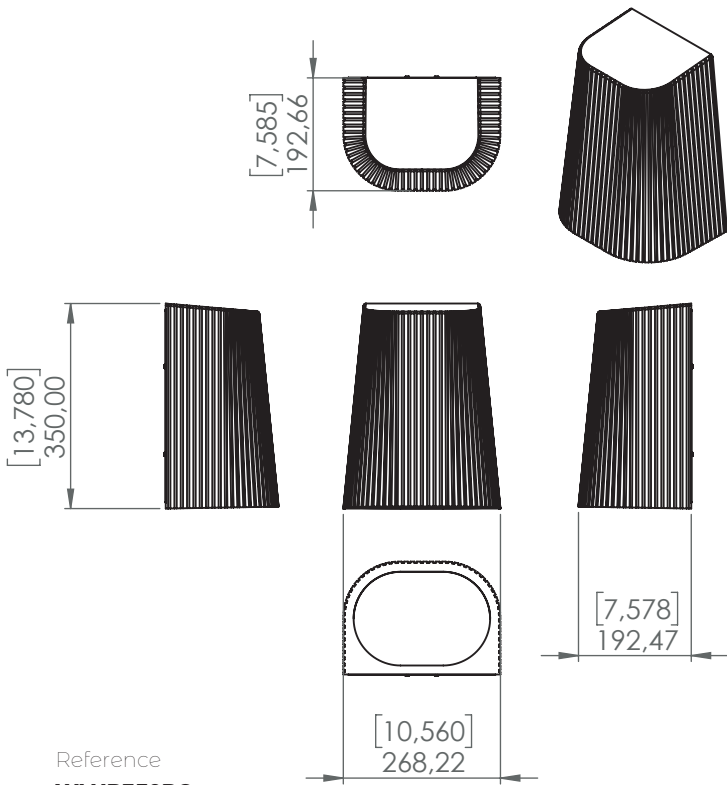
Type



WHITE
VEIN



BROWN
VEIN



Reference

WLUR350RC

Description

Patinated bronze body - Protective varnish - Glass diffuser

Handmade in France

Specificity

Led Sources	LED COB 120-277VAC / 50-60hz / 34V
Lumens	1091 lm (nominal)
Watts	8.4 W
Weight kg (lbs)	5.4 [11.9]

Standard	LED	CRI-Ra 98	UL LISTED	RoHS
----------	-----	-----------	-----------	------

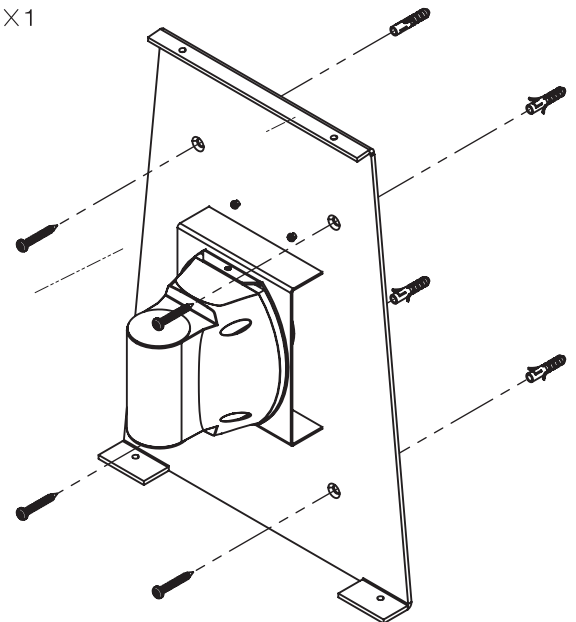
Colors	2700K*	3000K
--------	--------	-------

Dimming	Triac*	0.10V	Dali
---------	--------	-------	------

Driver Position	INSIDE*	INSIDE	INSIDE
-----------------	---------	--------	--------

* Factory setting

Fixation



Bronze Finishing

Patinas



FNRB
RAW
BRASS

FNMB
MEDIUM
BRASS

FNBK
BLACK
BRASS

Special



FNBN
BRUSHED
NICKEL

CUSTOM
FINISHING
ON DEMAND

Alabasters

Type



WHITE
VEIN

BROWN
VEIN