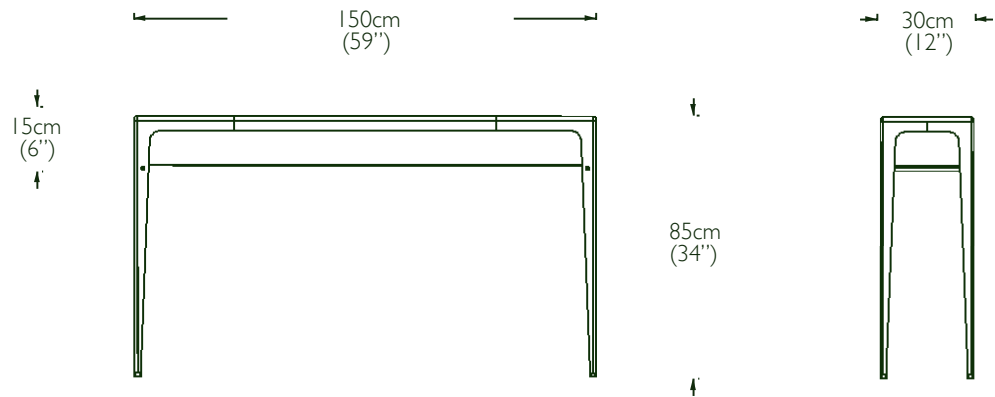


# OCHRE





- rectangular 150cm:** overall - 150cm w x 30cm d x 85cm h (59" w x 12" d x 34" h)  
 shelf height - 70cm h (27½" h)  
 weight: approx 20kg (44lbs)
- rectangular 110cm:** overall - 110cm w x 30cm d x 85cm h (43" w x 12" d x 34" h)  
 shelf height - 70cm h (27½" h)  
 weight: approx 18kg (40lbs)  
 custom sizes available - please enquire

leather colour can vary from hide to hide and will change naturally over time based on use and exposure to sunlight • hides are selected from the finest leathers with natural variations in colour, veining, marks and scars • such characteristics should therefore not be considered as faults • this is a natural, unfinished leather which has a silky soft feel and should be treated with care as it can bruise if it comes into contact with hard or sharp objects

## wisp console 150cm

metal frame clad in the finest upholstery leather with slung saddle leather shelf & brass capped feet