

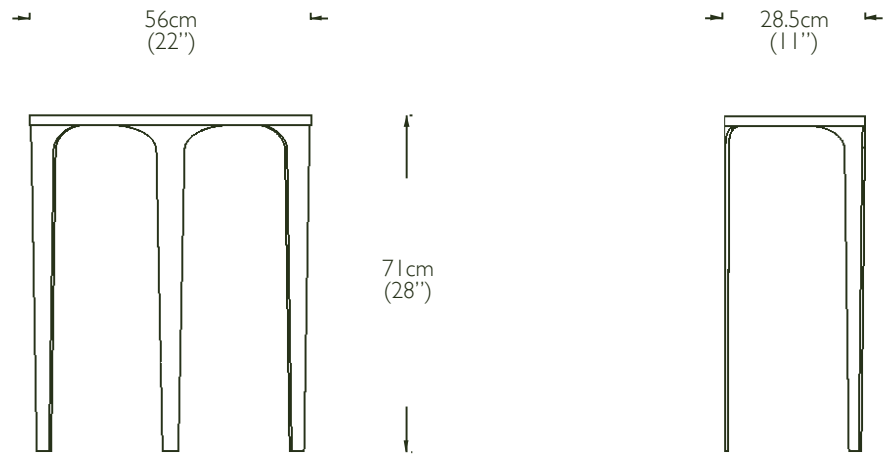
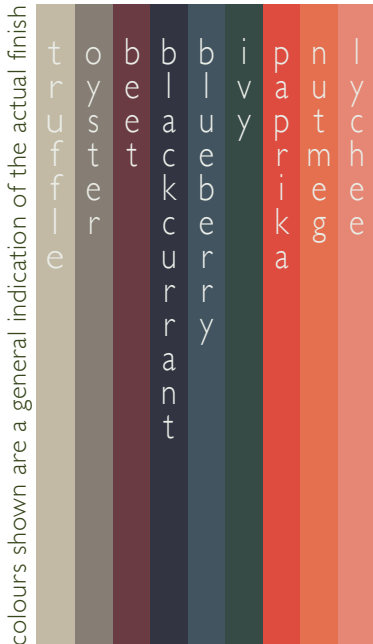
OCHRE



COUP DETAT

111 RHODE ISLAND STREET, SUITE 1  
SAN FRANCISCO, CA 94103  
T. 415-241-9300

WWW.COUPDETATSF.COM  
INFO@COUPDETATSF.COM



**demi-lune 55:** 56cm w x 28.5cm d x 71cm h (22" w x 11" d x 28" h)  
weight: 6.25kg (13½lbs)

**demi-lune 65:** 65.5cm w x 30.5cm d x 71cm h (26" w x 12" d x 28" h)  
weight: 7.15kg (15½lbs)

leather colour can vary from hide to hide and will change naturally over time based on use and exposure to sunlight • hides are selected from the finest leathers with natural variations in colour, veining, marks and scars • such characteristics should therefore not be considered as faults • this is a natural, unfinished leather which has a silky soft feel and should be treated with care as it can bruise if it comes into contact with hard or sharp objects

## wisp demi-lune 55cm

metal frame clad in the finest leather; twin stitched seams along each leg, leather top and brass capped feet