

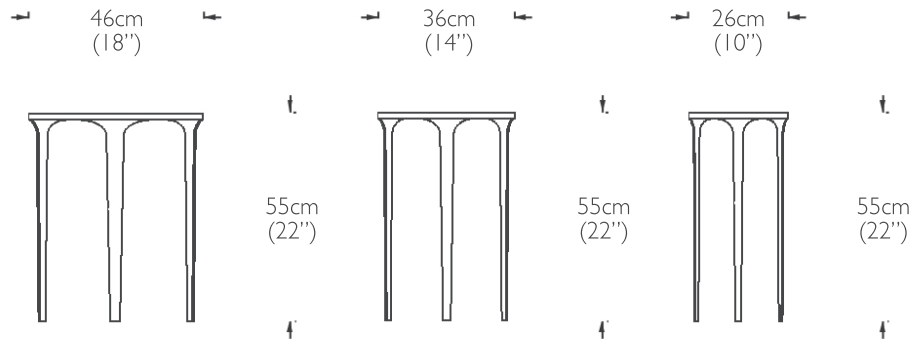
OCHRE



COUP D'ETAT

111 RHODE ISLAND STREET, SUITE 1
SAN FRANCISCO, CA 94103
T. 415-241-9300

WWW.COUPDETATSF.COM
INFO@COUPDETATSF.COM



- round:**
 26cm diam x 55cm h (10" diam x 21" h)
 36cm diam x 55cm h (14" diam x 21" h)
 46cm diam x 55cm h (18" diam x 21" h)
- weight:**
 approx 4kg (9lbs), 6.5kg (14½lbs), 8.5kg (19lbs)
- also available:**
 56cm diam x 60cm h (22" diam x 24" h)
 66cm diam x 70cm h (26" diam x 27½" h)
 *sage not available in 56cm and 66cm sizes
- wisp nest:**
 nest of 3 round tables
 26cm diam x 48cm h (10" diam x 19" h)
 36cm diam x 53cm h (14" diam x 20½" h)
 46cm diam x 58cm h (18" diam x 22½" h)

leather colour can vary from hide to hide and will change naturally over time based on use and exposure to sunlight • hides are selected from the finest leathers with natural variations in colour, veining, marks and scars • such characteristics should therefore not be considered as faults • this is a natural, unfinished leather which has a silky soft feel and should be treated with care as it can bruise if it comes into contact with hard or sharp objects

wisp table round

metal frame clad in the finest leather, twin stitched seams along each leg, leather top and brass capped feet