

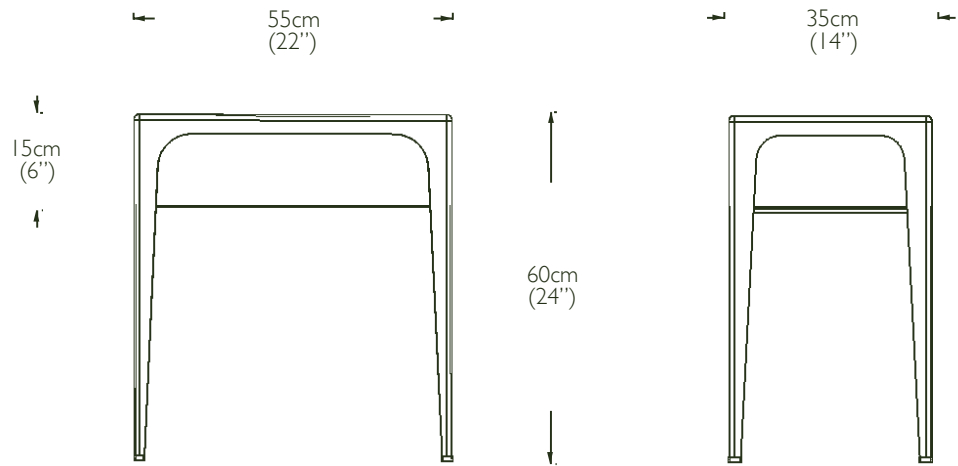
OCHRE



COUP D'ETAT

III RHODE ISLAND STREET, SUITE I
SAN FRANCISCO, CA 94103
T. 415-241-9300

WWW.COUPDETATSF.COM
INFO@COUPDETATSF.COM



with shelf small:

overall - 55cm w x 35cm d x 60cm h (22" w x 14" d x 24" h)
shelf height - 45.5cm h (18" h)

weight:

approx 7kg (15lbs)

with shelf large:

overall - 65cm w x 40cm d x 70cm h (26" w x 16" d x 28" h)
shelf height - 55.5cm h (22" h)

weight:

approx 8kg (17.5lbs)

custom sizes available - please enquire

leather colour can vary from hide to hide and will change naturally over time based on use and exposure to sunlight • hides are selected from the finest leathers with natural variations in colour, veining, marks and scars • such characteristics should therefore not be considered as faults • this is a natural, unfinished leather which has a silky soft feel and should be treated with care as it can bruise if it comes into contact with hard or sharp objects

wisp table rectangular with shelf

metal frame clad in the finest saddle leather; twin stitched seams along each leg, leather top and brass capped feet