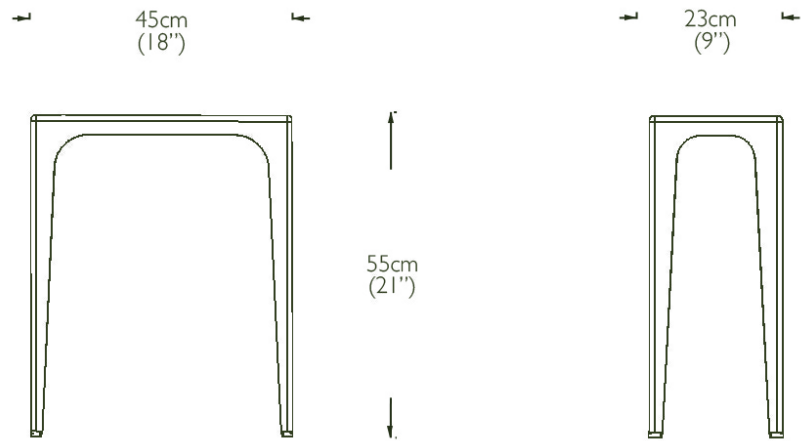


OCHRE





**rectangular 45cm:** 45cm w x 23cm d x 55cm h (18"w x 9"d x 21"h)  
weight: approx 6kg (13lbs)  
custom sizes available - please enquire

leather colour can vary from hide to hide and will change naturally over time based on use and exposure to sunlight • hides are selected from the finest leathers with natural variations in colour, veining, marks and scars • such characteristics should therefore not be considered as faults • this is a natural, unfinished leather which has a silky soft feel and should be treated with care as it can bruise if it comes into contact with hard or sharp objects

## wisp table rectangular

metal frame clad in the finest saddle leather; twin stitched seams along each leg, leather top and brass capped feet