

Giac Settee (48" Length)



The Giac collection is defined by its sinuous cast frame & elegant form. The frame is cast in aluminium to make a graceful seating option suitable for a dining scenario.

SPECIFICATIONS

Low Arms: 48"W x 33"H x 21 1/8"D x 19" SH

Raised Arms: 48" W x 33"H x 21 1/8"D x 26 1/2" AH

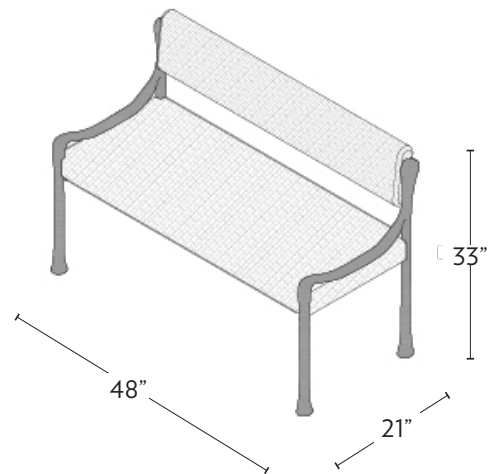
MATERIALS + FINISH

CAST ALUMINUM

Hand Patinated: Black, Oil-Rubbed Bronze

Premium Finish: Brass, Nickel, Antique Bronze, White Bronze

COL/COM



Giac Settee (60" Length)



The Giac collection is defined by its sinuous cast frame & elegant form. The frame is cast in aluminium to make a graceful seating option suitable for a dining scenario.

SPECIFICATIONS

Low Arms: 60"W x 33"H x 21 1/8"D x 19" SH

Raised Arms: 60" W x 33"H x 21 1/8"D x 26 1/2" AH

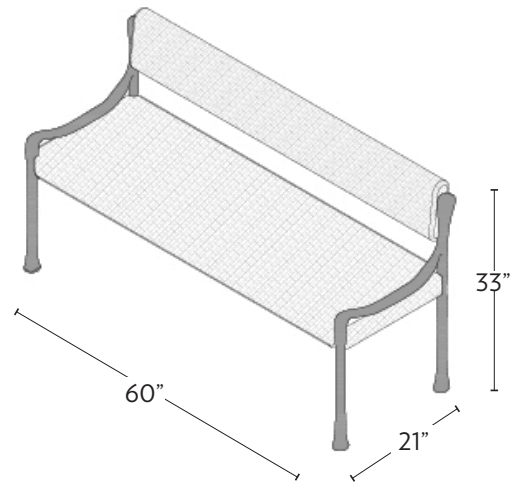
MATERIALS + FINISH

CAST ALUMINUM

Hand Patinated: Black, Oil-Rubbed Bronze

Premium Finish: Brass, Nickel, Antique Bronze, White Bronze

COL /COM



GIAC COLLECTION

Giac Settee (72" Length)

DLV
DE LA VEGA



The Giac collection is defined by its sinuous cast frame & elegant form. The frame is cast in aluminium to make a graceful seating option suitable for a dining scenario.

SPECIFICATIONS

Low Arms: 72"W x 33"H x 21 1/8"D x 19" SH

Raised Arms: 72" W x 33"H x 21 1/8"D x 26 1/2" AH

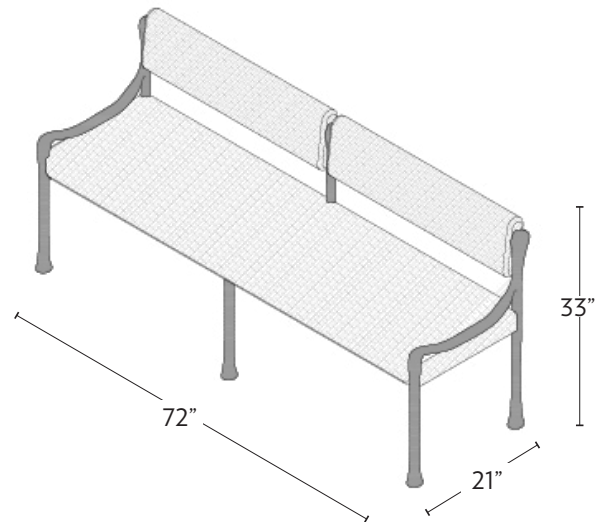
MATERIALS + FINISH

CAST ALUMINUM

Hand Patinated: Black, Oil-Rubbed Bronze

Premium Finish: Brass, Nickel, Antique Bronze, White Bronze

COL /COM



COM: 4 YDS /COL: 72 SQFT. PLEASE CONTACT US FOR MORE DETAILS

INFO@COUPDETATSF.COM

COUPDETATSF.COM

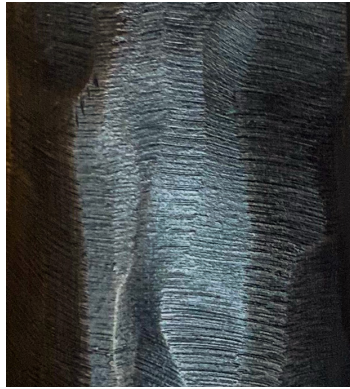
Materials (Giac Seating)

Proprietary Alloy

Standard Finishes



Black



Oil-Rubbed Bronze

Premium Finishes



Brass



Nickel



Antique Bronze



White Bronze